

E320

HIGH-PERFORMANCE BLENDER

EXPLORIAN SERIES

VM0197



SYMBOLS

	Warning and Caution
	NEVER touch moving parts. Keep hands and utensils out of the container
	Electric Shock Hazard
	High temperature when blending hot liquids
	Unplug while not in use, before cleaning, changing accessories or touching parts that move while the blender is in use
	Operate with the lid and lid plug in place
	Read and understand owner's manual
	DO NOT immerse
	Parts will become hot with extended use. DO NOT touch the drive socket in the blender base or the drive spline in the blade base
	DO NOT use your 20 ounce (0,6 L) cup to heat ingredients or to blend hot liquids.
	DO NOT use the cups (including the blade base or lids) in the microwave.
	On/Off
	Pulse

SPECIFICATIONS

Voltage:	120 V	Height (with 64 oz. container on base): 17 inches
Frequency:	50 - 60 Hz	Width: 8 inches
Amps:	12 Amps	Depth: 11 inches



Begin Your Adventure

vitamix.com

IMPORTANT SAFEGUARDS



WARNING: To avoid the risk of serious injury when using your Vitamix® blender, basic safety precautions should be followed, including the following. READ ALL INSTRUCTIONS, SAFEGUARDS, AND WARNINGS BEFORE OPERATING BLENDER.

1. Read all instructions.
2. Do not use blender for other than intended use.
3. Not intended for use by or near children or persons with reduced physical, sensory, or mental capabilities or lack of experience and knowledge. Close supervision is necessary when any blender is used by or near children or incapacitated persons. Children should be supervised to ensure that they do not play with the blender.
4. **WARNING:** To avoid inadvertent activation, turn off and unplug before cleaning.
5. **CAUTION:** In order to avoid a hazard due to inadvertent resetting of the thermal cut-out, power to this blender must not be supplied through an external switching device, such as a timer, or connected to a circuit that is regularly switched on and off by the utility.
6. To protect against risk of electrical shock, do not put the blender base in water or other liquid.
7. Unplug from outlet when not in use, before putting on or taking off parts, and before cleaning.
8. Always check that the blender is OFF before plugging cord into wall outlet. To disconnect, turn OFF the blender, then remove plug from wall outlet.
9. Avoid contacting moving parts.
10. Do not operate any blender with a damaged cord or plug or after the blender malfunctions, or is dropped or damaged in any manner. Call Vitamix Customer Service at 1.800.848.2649 or 1.440.235.4840 or email service@vitamix.com at once for examination, repair, replacement, or adjustment. If purchased outside the U.S.A. or Canada, contact your local Vitamix dealer.
11. GFI circuit breakers might be installed in your kitchen. Look for them in outlets near sinks. If the blender won't operate, unplug the blender. Reset the wall outlet or circuit breaker. If the circuit breaker continues to trip, unplug the blender from the outlet. Allow the blender to sit for 24 hours before attempting to use it again. Contact Vitamix Customer Service if the problem persists.
12. Alteration or modification of any part of the blender, including the use of any part or parts that are not genuine authorized Vitamix parts, may cause fire, electric shock, or injury and will void your warranty.
13. The use of attachments not expressly authorized or sold by Vitamix for use with this blender, including canning jars, may cause fire, electric shock, or injury. Use in this way will void your warranty.
14. Do not use outdoors.
15. Do not let cord hang over edge of table or counter.
16. Do not place on or near a hot gas or electric burner, in or on a heated oven.
17. Keep hands and utensils out of container while blending to reduce the risk of severe injury to persons or damage to the blender. A rubber scraper or spatula may be used, but only when the blender is not running.
18. The tamper provided must be used only when the main part of the lid is in place.
19. Blades are sharp. Clean around the blade assembly in the container with extreme care to avoid injury.
20. To reduce the risk of injury, never place a blade assembly on the motor base unless assembled to the Vitamix container.
21. Care should be taken when handling the sharp cutting blades, emptying the container and during cleaning.
22. Do not leave foreign objects, such as spoons, forks, knives or the lid plug, in the container as this will damage the blades and other components when starting the blender and may cause injury.
23. Never attempt to operate with damaged blades.
24. Never attempt to operate with the centering pad removed.
25. Always operate blender with lid and lid plug firmly in place. DO NOT remove 2-part lid while blades are rotating. Only remove the lid plug to add ingredients and to use the tamper.
26. When blending hot liquids or ingredients in the 64 oz. container, use caution; spray or escaping steam may cause burns. Do not fill container to the maximum capacity. Always begin processing on the lowest speed setting, variable speed 1. Keep hands and other exposed skin away from lid opening to prevent possible burns.
27. DO NOT use your 20 ounce cup to heat ingredients or to blend hot liquids. Heated ingredients and liquids may create internal pressure which could cause the cup to burst and cause injury.
28. DO NOT continuously use your machine for more than 75 seconds with the 20 ounce cup.
29. If a cup becomes warm to the touch or steams or vents, immediately stop blending ingredients and turn off or unplug blender. Allow the cup and ingredients to cool to room temperature before removing the blade base.
30. When making nut butters or oil-based foods, do not process for more than one minute after the mixture starts to circulate in the container. Processing for longer periods can cause overheating.
31. Make sure that the container or cup and personal cup adapter are flush with the centering pad to ensure that the drive spline is engaged with the drive socket before operating.
32. Make sure to use the seal on the blade base and tighten the cup adequately to the blade base before blending.
33. Never place the personal cup adapter onto the blade base without the cup attached.

SAVE THESE INSTRUCTIONS

WARNING



To Avoid Injury.

Read and understand instruction manual before using this machine.



IMPORTANT INSTRUCTIONS FOR SAFE USE

This product is intended for HOUSEHOLD USE ONLY and is not intended to be used for commercial purposes.

Do not leave your Vitamix blender unattended when operating.

Any repair, servicing, or replacement of parts must be performed by Vitamix or a Vitamix authorized service representative.

NOTICE: THE FAILURE TO FOLLOW ANY OF THE IMPORTANT SAFEGUARDS AND IMPORTANT INSTRUCTIONS FOR SAFE USE IS A MISUSE OF YOUR VITAMIX BLENDER THAT CAN VOID YOUR WARRANTY AND CREATE THE RISK OF SERIOUS INJURY.

⚠ WARNING



Use grounded outlet only.

DO NOT remove ground.

DO NOT use an adapter.

DO NOT use an extension cord.

Always unplug before cleaning the motor base or when not in use.

Do not put the motor base in water or other liquid.

Failure to follow instructions can cause death or electrical shock.



PARTS AND FEATURES

Legacy Vitamix Containers - Legacy (C Series and G Series) containers will work with your Explorian blender base. A 20 ounce cup can be used when paired with the Vitamix Personal Cup Adapter. Vitamix Self-Detect containers will not work with the Explorian Blender. Visit vitamix.com for details.

Lid, Lid Plug and Tamper

- Always use the lid and the lid plug when operating the blender.
- Never operate the blender without checking to make sure that the lid is securely locked in place.
- The lid plug is marked so it can be used as a measuring cup.
- Insert the lid plug through the lid plug opening. Lock the plug in place by turning clockwise. To remove, turn counter-clockwise and lift out.
- Remove the lid plug to use the tamper or to add ingredients.

Blade Scraper - See Appendix 1 - Accessories

Tamper Holder - See Appendix 1 - Accessories

Motor - The motor is designed to protect itself from overheating. If the blender will not start immediately check to make sure you have plugged the unit in and the On/Off switch is On. If the motor has overheated, allow the motor to cool for 20-45 minutes.

Tips to prevent 'overloading' your blender:

- Process only Vitamix recipes when learning to use the blender.
- Do not process recipes at lower or higher speeds than recommended.
- Do not process recipes for longer than recommended.
- Use your tamper to process thicker mixtures and keep ingredients moving around and through the blades.



IMPORTANT! KNOW YOUR VITAMIX CONTAINER, LID AND TAMPER

CAUTION



Rotating Blades Can Cause Damage.

Lids and tampers are not interchangeable between different container styles, types and sizes. Use the tamper that was supplied with your blender.

Note: Vitamix Self-Detect containers will not work with the Explorian Blender.

Lids and tampers are not interchangeable between different container styles, types and sizes. Use the tamper and lid that was supplied with your blender.

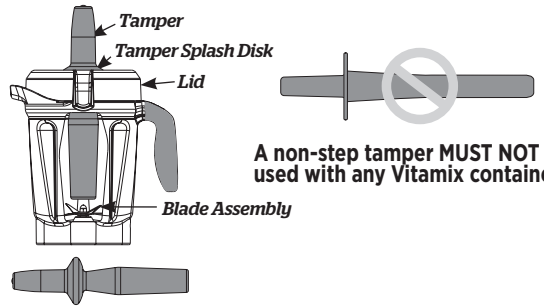
How to Determine the Tamper to be Used with Your Container

Before using a tamper during the blending, verify that you have the correct tamper. Only use the tamper with the lid securely locked in place and the lid plug removed. **If a tamper came with your blender at purchase, it is the correct tamper to use.** If a tamper did not come with your blender or you want to determine if a tamper that you already have can be used with your new container, please use these steps and illustrations to determine what tamper to use.

1. Place the lid on an empty container.
2. Remove the lid plug and insert the tamper through the lid plug opening. The tamper should fit easily into the opening. It should not come into contact with the blades no matter where you move the tamper inside the container.
3. Visually inspect: **IF THE TAMPER TOUCHES THE BLADES AT ANY ANGLE, DO NOT USE THE TAMPER WITH YOUR CONTAINER.**
4. If you do not have the correct tamper for your container, contact Vitamix Household Customer Service at 1.800.848.2649 or 1.440.235.4840.

64 oz. / 2,0 L (SHORT)

The 64 oz. / 2 L **Short** (or Low Profile) Container uses a tamper which is approximately 11 inches long.

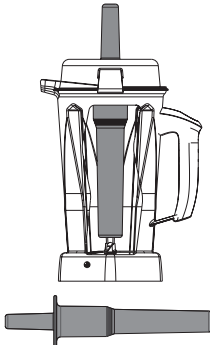


A non-step tamper MUST NOT be used with any Vitamix container.

OTHER VITAMIX CONTAINERS AND TAMPERS

64 oz. / 2,0 L (TALL)

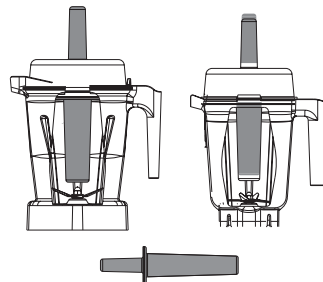
The 64 oz. / 2 L **Tall** Container uses a tamper which is approximately 12- $\frac{1}{2}$ in. long.



48 oz. / 1,4 L

32 oz. / 0,9 L

The 48 oz. (1.4 L) and 32 oz. (0.9 L) Containers use a tamper which is approximately 9- $\frac{3}{4}$ in. long.



CONTROL PANEL

On /Off (I/O) Switch - The On/Off switch controls power to the machine.

Variable Speed Dial - The Variable Speed Dial gives you manual control from Variable 1 (slowest) to 10 (highest).

Pulse (⏏) - The blades will rotate at the speed displayed on the control panel when pressed.



BLENDING

Note: The 20 ounce cup mentioned here are optional accessories of the Explorian Blenders when used with a Vitamix Personal Cup Adapter. Please visit vitamix.com for more information. Refer to the Personal Cup Adapter Owner's Manual for usage details.

⚠ WARNING



To Avoid Possible Burns, Never Start on Speeds Above 1 when Processing Hot Liquids in a Large Container.

Escaping steam, splashes or contents may burn. Always start on Variable 1, then slowly increase to 10.



DO NOT use your 20 ounce cup to heat ingredients or to blend hot liquids. Heated ingredients and liquids may create internal pressure which could cause the cup to burst and cause injury.



DO NOT continuously use your machine for more than 2 minutes with the 20 ounce cup and Personal Cup Adapter.

If a cup becomes warm to the touch or steams or vents, immediately stop blending ingredients and turn off or unplug blender. Allow the cup and ingredients to cool to room temperature before removing the blade base.



Parts will become hot with extended use.

DO NOT touch the drive socket in the blender base or the drive spline in the Personal Cup Adapter.

To avoid damage or personal injury, **DO NOT use the cups (including the blade base or lids) in the microwave.**



1. Load your container according to your recipe or the load order in the illustration here.

IMPORTANT! Always use the lid and the lid plug on the Large Container when the machine is in operation. Never operate the blender without checking to make sure that the lid and lid plug are securely locked in place.

2. Push the lid down into place until the two tabs snap onto the lip of the container. Insert the lid plug. Turn the lid plug clockwise to lock.
3. Put the container onto the base.
4. Look at the variable speed dial. Make sure it is pointing to Variable speed 1. Press On/Off to start the machine. The blades will begin to turn.
5. Rotate the Variable Speed Dial between 1 and 10 during the blending cycle to increase or decrease the speed of the blades.
6. At the end of the blend, rotate the Variable Speed Dial counter-clockwise to Variable Speed 1. Press On/Off.

Ice & Frozen

Ingredients

Fruits & Veggies

Leafy Greens

Dry Goods

Liquids



7. If the mixture stops circulating, insert the tamper through the lid plug and stir until it 'burps'. If this does not work, press the On/Off switch to stop the motor. Remove the container from the blender base and use a rubber spatula to press the air bubble away from the blades. Add liquid if necessary. Replace the lid and lid plug. Return the container to the blender base and continue blending.
8. After blending, wait until the blades completely stop before removing the lid or container from the blender base.

Tips to prevent 'overloading' your blender:

- Process only Vitamix recipes when learning to use the blender.
- Do not process recipes at lower or higher speeds than recommended.
- Do not process recipes for longer than recommended.
- Use your tamper to process thicker mixtures and keep ingredients moving around and through the blades.

How to use the Tamper:

IMPORTANT! The splash disk (near the top of the tamper) and lid prevent the tamper from hitting the blades when the lid is secured properly in the locked position.

- The container should not be more than two-thirds full when the tamper is used during blending.
- To avoid overheating during blending, DO NOT use the tamper for more than 30 consecutive seconds.
- If the food does not circulate, the blender may have trapped an air bubble. Carefully remove the lid plug, while making sure the lid stays firmly in place. Release the air bubble by inserting the tamper through the lid plug opening.
- Holding the tamper straight down may not help the ingredients circulate. If necessary, point the tamper towards the sides or corners of the container. DO NOT try to force the tamper deeper into the container.

CARE AND CLEANING

BEFORE FIRST USE:

1. Wipe the base with a warm damp cloth and wipe clean with a dry, soft cloth. Wash the container, lid, lid plug, and tamper with warm, soapy water. Rinse all parts. Wipe dry with a dry, soft cloth.
2. Choose a space on the counter that is level, dry and clean. Plug the blender into a grounded, 3-prong outlet.

Note: Your Vitamix container is designed to be completely cleanable without removing the retainer nut and blade assembly. DO NOT attempt to remove the retainer nut or blade assembly from the container. Our Normal Cleaning and Sanitizing procedures or a dishwasher cleaning cycle will ensure a complete and thorough cleaning of your container and it's components. If your container is damaged, please do not use. Contact Vitamix Customer Service IMMEDIATELY for assistance.

Follow these instructions if you prefer not to wash your container in the dishwasher.

To Clean the LP64 Container:

1. Fill the container half full with warm water and add a couple of drops of dishwashing liquid.
2. Snap or push the complete 2-Part lid into the locked position.
3. Press Start / Stop. Slowly increase variable speed to 10.
4. Run the machine for 30 to 60 seconds.
5. Rotate the Variable Speed dial back to Variable 1. Press Start/Stop.
6. Rinse and drain all pieces.

To Sanitize the 64LP Container using Bleach:

1. Follow the cleaning instructions above.
2. Fill the container half full with water and 1½ teaspoons of liquid bleach.
3. Snap or push the complete 2-part lid into the locked position.
4. Rotate the dial clockwise to Variable Speed 1.
5. Press Start / Stop. Slowly increase variable speed to 10.
6. Run the machine for 30 to 60 seconds.
7. Rotate the Variable Speed dial back to Variable 1. Press Start/Stop.
8. Allow mixture to stand in the container for an additional 1½ minutes.
9. Pour bleach mixture out. Allow container to air dry. Do not rinse after sanitizing.

To Sanitize the 64LP Container using Vinegar:

1. Follow the cleaning instructions above.
2. Prepare the vinegar solution: for the 64oz container, dilute 16oz. (473 ml) of vinegar in 16oz (473ml) water.
3. Snap or push the complete 2-part lid into the locked position.
4. Begin with Variable Speed 1 on the display. Press Start/Stop.
5. Slowly increase variable speed to 10.
6. Run the machine on variable speed 10 for 2 full minutes.
7. Rotate the Variable Speed dial back to Variable Speed 1. Press Start/Stop.
8. Allow mixture to stand in the container for an additional 3 full minutes. Total contact time of the vinegar solution in the container should equal 5 minutes.
9. Pour vinegar solution out of container over inside surface of 2-part lid. Repeat sanitization procedure a second time (steps 2-9).
10. Allow container and lid to air dry. Do not rinse after sanitizing. If necessary, rinse immediately before next use.
11. Pour bleach mixture out. Allow container to air dry. Do not rinse after sanitizing.

Lids, Lid Plug, Centering Pad, Tamper, Tamper Holder and Blade Scraper

All parts listed above are dishwasher safe. If preferred, wash the parts in warm soapy water. Rinse clean under running water, then dry.

Blender Base

1. Turn off and unplug the blender.

⚠ WARNING



To Avoid Injury and Damage.

To avoid inadvertent activation, turn off and unplug the blender before cleaning.

⚠ WARNING



Electrical Shock Hazard.

Always unplug before cleaning the blender base or when not in use.

Do not put the blender base in water or other liquid.

Failure to follow instructions can cause death or electrical shock.



2. Wash the outside surface with a damp, soft cloth or sponge that has been rinsed in a mild solution of liquid dish soap and warm water. Do not place the blender base in water. The centering pad can be removed for more thorough cleaning. The centering pad is dishwasher safe.
3. Immediately dry all surfaces and polish with a soft cloth.

WARRANTY AND SERVICE

7-Year Full Machine Warranty

1. PRODUCT REGISTRATION.

You can register online at vitamix.com/warranty; or by calling our Customer Service Department at 1.800.848.2649 or 1.440.235.4840. Failure to register your product purchase will not diminish your warranty rights. However, registering your purchase will allow Vitamix to better serve you with any of your customer service needs.

2. WHO CAN SEEK WARRANTY COVERAGE.

This Warranty is extended by Vitamix to the owner of this Blender for personal household use only. This Warranty does not apply to products used for commercial, rental or re-sale purposes. Should ownership of the blender change during the 7-year period, please update the Blender's owner information at vitamix.com.

3. WHAT IS COVERED.

Vitamix warrants to the owner that if this Blender (**a "Blender" consists of a motor blender base, any container(s), lids and tamper(s) purchased together**) fails within 7 years from the date of purchase due to a defect in material or workmanship or as a result of normal wear and tear from ordinary household use, Vitamix will, within 30 days of receipt of the returned blender, repair the failed Blender or component part of the Blender free of charge.

If, in Vitamix's sole discretion, the failed Blender or component part of the Blender cannot be repaired, Vitamix will elect to either (A) replace the Blender free of charge or (B) refund the full purchase price to the owner, unless Vitamix receives prior written notice of the owner's preference.

4. WHAT IS NOT COVERED.

This Warranty does not apply to Blenders used commercially or in non-household applications. This Warranty does not cover cosmetic changes that do not affect performance, such as discoloration or the effects of the use of abrasives or cleaners or food build up. This Warranty is only valid if the Blender is used and maintained in accordance with the instructions, warnings and safeguards contained in the owner's manual.

Containers: Grinding certain herbs and spices in the container/cup will result in cosmetic marring of the container/cup and may cause the blades to wear prematurely. Traces of sand, coarse gritty and abrasive herbs will also cause the blades to wear prematurely. Herbs may contain volatile oils, cause the container/cup to retain the oils and cause permanent discoloration. Your container/cup and blades are not covered under the Vitamix warranty under these circumstances.

Vitamix will not be responsible for the cost of any unauthorized warranty repairs.

REPAIR, REPLACEMENT OR REFUND OF THE PURCHASE PRICE ARE THE EXCLUSIVE REMEDIES OF PURCHASER AND THE SOLE LIABILITY OF VITAMIX UNDER THIS WARRANTY. NO EMPLOYEE OR REPRESENTATIVE OF VITAMIX IS AUTHORIZED TO MAKE ANY ADDITIONAL WARRANTY OR ANY MODIFICATION TO THIS WARRANTY WHICH MAY BE BINDING UPON VITAMIX. ACCORDINGLY, PURCHASER SHOULD NOT RELY UPON ANY ADDITIONAL STATEMENTS MADE BY ANY EMPLOYEE OR REPRESENTATIVE OF VITAMIX. IN NO EVENT, WHETHER BASED ON CONTRACT, INDEMNITY, WARRANTY, TORT (INCLUDING NEGLIGENCE), STRICT LIABILITY OR OTHERWISE, SHALL VITAMIX BE LIABLE FOR ANY SPECIAL, INDIRECT, INCIDENTAL OR CONSEQUENTIAL DAMAGES, INCLUDING, WITHOUT LIMITATION, LOSS OF PROFIT OR REVENUE.

Some states do not allow limits on warranties. In such states, the above limitations may not apply to you. Outside the U.S.A. and Canada, other warranties may apply.

5. WHAT VOIDS THIS WARRANTY.

Abuse, misuse, negligent use, alteration of the Blender, exposure to abnormal or extreme conditions, or failure to follow the operating instructions in this manual will void this Warranty.

The Warranty is also void if repairs to the Blender or any component part of the Blender are performed by someone other than either Vitamix or an authorized Vitamix Service Provider or if any component part of a Blender subject to this Warranty is used in combination with a motor base or container that is not expressly authorized by Vitamix.

6. HOW TO OBTAIN RETURN AUTHORIZATION UNDER THIS WARRANTY.

In the event that you need service or repair, please call Vitamix Customer Service at 1.800.848.2649 or 1.440.235.4840. You will be asked to provide a date of purchase and proof of purchase for any blender that has not been registered with Vitamix. For blenders subject to this Warranty you will be provided with a return authorization number, up-to-date shipping instructions and a pre-paid return pick up label. Vitamix will pay standard shipping costs on the return of a Blender for warranty service and repair and for return shipment of the blender to you after the warranty repair or replacement. Purchaser is responsible for the costs of special shipping requests.

Within the U.S.A. and Canada, this Warranty is honored directly through the Vita-Mix Corporation.

United States

Vita-Mix Corporation
8615 Usher Road
Cleveland, Ohio 44138-2199
1-800-848-2649
service@vitamix.com

Canada

Vita-Mix Corporation
200-1701 Shepherd Street East
Windsor, Ontario N8Y 4Y5
1-800-848-2649
service@vitamix.com

You will be deemed to have accepted the returned product "as is" upon delivery unless you notify Vitamix of any problem, including shipment damage, within 48 hours of delivery.

APPENDIX 1 - ACCESSORIES

Accessories

The following accessories are available to use with the Explorian model and other Vitamix Legacy blenders.

1. Personal Cup and Adapter
2. Tamper Holder
3. Blade Scraper

TAMPER HOLDER USE AND CARE INSTRUCTIONS

Note: When properly installed, the tamper holder will not interfere with blender operation. The tamper holder can be installed on the left or right side of the motor base.

1. Clean the parts by hand with warm, soapy water or in the top rack in the dishwasher before assembling.
2. Choose a side of the motor base to install the tamper holder.
3. Lift up the blender base. Put the tamper holder base onto the blender frame. Lower the blender base back onto the work surface or counter. Put the tamper holder cup onto the tamper holder base. Twist the tamper holder cup clockwise to lock into place.
4. Make sure the blender is sitting flat and steady (no rocking side to side) before blending. When installed properly, the inside flat surface of the tamper holder cup will sit flush with the side of the blender (See photo).
5. Remove the tamper holder from the blender regularly to clean. To remove the tamper holder cup, rotate the cup counter-clockwise.
6. To remove the base, lift up on the motor base and remove the tamper holder base.



Proper installation
(flush against motor base)

BLADE SCRAPER USE AND CARE INSTRUCTIONS

IMPORTANT!



Keep hands and utensils out of container while blending to reduce the risk of severe injury to persons or damage to the blender. A rubber scraper, spatula or blade scraper may be used, but only when the blender is not running and after the container has been removed from the motor base.



Do not leave foreign objects, such as spoons, forks, knives, scrapers, spatulas or the lid plug, in the container as this will damage the blades and other components when starting the blender and may cause injury.



1. Clean the parts by hand with warm, soapy water or in the top rack in the dishwasher before use.
2. Use the blade scraper to remove thick ingredients like jam and peanut butter from under the blades only after the container has been removed from the motor base.

ACCESSORY WARRANTY

1-Year Accessory Warranty

1. WHAT IS COVERED

Vita-Mix Corporation (“Vitamix”) warrants that the accessory (tamper holder, blade scraper) will be free from defects in material or workmanship and will withstand wear and tear from ordinary household use for 1 year from the date of purchase. Vitamix will, within 30 days of receipt of the returned product, repair the failed Accessory free of charge. If, in Vitamix’s sole discretion, the failed Accessory cannot be repaired, Vitamix will elect to either (A) replace the Accessory free of charge or (B) refund the full purchase price to the owner, unless Vitamix receives prior written notice of the owner’s preference.

2. WHO CAN SEEK WARRANTY COVERAGE.

This Warranty is extended by Vitamix to the owner of this Accessory for personal household use only. This Warranty does not apply to products used for commercial, rental or re-sale purposes.

3. WHAT IS COVERED.

Vitamix warrants to the owner that if this **Accessory** fails within 1 years from the date of purchase due to a defect in material or workmanship or as a result of normal wear and tear from ordinary household use, Vitamix will, within 30 days of receipt of the returned Accessory, repair the failed Accessory or component part free of charge.

If, in Vitamix’s sole discretion, the failed Accessory cannot be repaired, Vitamix will elect to either (A) replace the Accessory free of charge or (B) refund the full purchase price to the owner, unless Vitamix receives prior written notice of the owner’s preference.

4. WHAT IS NOT COVERED.

This Warranty does not apply to Accessory used commercially or in non-household applications. This Warranty does not cover cosmetic changes that do not affect performance, such as discoloration or the effects of the use of abrasives or cleaners or food build up. This Warranty is only valid if the Accessory is used and maintained in accordance with the instructions, warnings and safeguards contained in the owner’s manual.

Vitamix will not be responsible for the cost of any unauthorized warranty repairs.

REPAIR, REPLACEMENT OR REFUND OF THE PURCHASE PRICE ARE THE EXCLUSIVE REMEDIES OF PURCHASER AND THE SOLE LIABILITY OF VITAMIX UNDER THIS WARRANTY. NO EMPLOYEE OR REPRESENTATIVE OF VITAMIX IS AUTHORIZED TO MAKE ANY ADDITIONAL WARRANTY OR ANY MODIFICATION TO THIS WARRANTY WHICH MAY BE BINDING UPON VITAMIX. ACCORDINGLY, PURCHASER SHOULD NOT RELY UPON ANY ADDITIONAL STATEMENTS MADE BY ANY EMPLOYEE OR REPRESENTATIVE OF VITAMIX. IN NO EVENT, WHETHER BASED ON CONTRACT, INDEMNITY, WARRANTY, TORT (INCLUDING NEGLIGENCE), STRICT LIABILITY OR OTHERWISE, SHALL VITAMIX BE LIABLE FOR ANY SPECIAL, INDIRECT, INCIDENTAL OR CONSEQUENTIAL DAMAGES, INCLUDING, WITHOUT LIMITATION, LOSS OF PROFIT OR REVENUE.

Some states do not allow limits on warranties. In such states, the above limitations may not apply to you. Outside the U.S.A. and Canada, other warranties may apply.

5. WHAT VOIDS THIS WARRANTY.

Abuse, misuse, negligent use, alteration of the Accessory, exposure to abnormal or extreme conditions, or failure to follow the operating instructions in this manual will void this Warranty.

The Warranty is also void if repairs to the Accessory are performed by someone other than either Vitamix or an authorized Vitamix Service Provider or if any component part of a Blender subject to this Warranty is used in combination with a blender base or container that is not expressly authorized by Vitamix.

6. HOW TO OBTAIN RETURN AUTHORIZATION UNDER THIS WARRANTY.

In the event that you need service or repair, please call Vitamix Customer Service at 1.800.848.2649 or 1.440.235.4840.

Within the U.S.A. and Canada, this Warranty is honored directly through the Vita-Mix Corporation.

United States

Vita-Mix Corporation
8615 Usher Road
Cleveland, Ohio 44138-2199
1-800-848-2649
service@vitamix.com

Canada

Vita-Mix Corporation
200-1701 Shepherd Street East
Windsor, Ontario N8Y 4Y5
1-800-848-2649
service@vitamix.com

You will be deemed to have accepted the returned product “as is” upon delivery unless you notify Vitamix of any problem, including shipment damage, within 48 hours of delivery.

When applicable:



©2017 Vita-Mix Corporation. No part of this publication may be reproduced or transmitted in any form or by any means, or stored in a database or retrieval system, without the written permission of Vita-Mix Corporation.