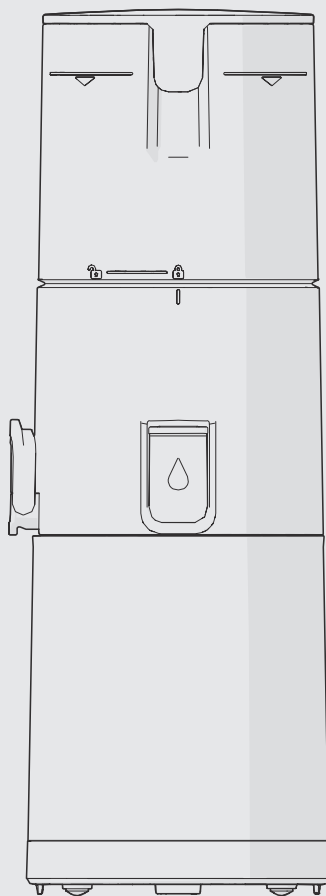


HUROM PRODUCT

# INSTRUCTION MANUAL



**HUROM**

p03 English

p18 Deutsch

p32 Français

p48 Italiano

p62 Český

# IMPORTANT SAFEGUARDS

WHEN USING ELECTRICAL APPLIANCES, BASIC SAFETY PRECAUTIONS SHOULD ALWAYS BE FOLLOWED INCLUDING THE FOLLOWING:

- 1. WHEN USING ELECTRICAL APPLIANCES, BASIC SAFETY PRECAUTIONS SHOULD ALWAYS BE FOLLOWED. READ ALL INSTRUCTIONS.**
- 2. TO PROTECT AGAINST RISK OF ELECTRICAL SHOCK, DO NOT PUT THE MAIN BODY (MOTOR) IN WATER OR ANY OTHER LIQUID.**
- 3. THIS APPLIANCE IS NOT INTENDED FOR USE BY PERSONS (INCLUDING CHILDREN) WITH REDUCED PHYSICAL, SENSORY, OR MENTAL CAPABILITIES, OR LACK OF EXPERIENCE AND KNOWLEDGE, UNLESS THEY ARE CLOSELY SUPERVISED AND INSTRUCTED CONCERNING USE OF THE APPLIANCE BY A PERSON RESPONSIBLE FOR THEIR SAFETY. CLOSE SUPERVISION IS NECESSARY WHEN ANY APPLIANCE IS USED BY OR NEAR CHILDREN. CHILDREN SHOULD BE SUPERVISED TO ENSURE THAT THEY DO NOT PLAY WITH THE APPLIANCE.**
- 4. TURN THE APPLIANCE OFF, THEN UNPLUG FROM THE OUTLET WHEN NOT IN USE, BEFORE ASSEMBLING OR DISASSEMBLING PARTS AND BEFORE CLEANING. TO UNPLUG, GRASP THE PLUG AND PULL FROM THE OUTLET. NEVER PULL FROM THE POWER CORD.**
- 5. AVOID CONTACTING MOVING PARTS. DO NOT ATTEMPT TO DEFEAT ANY SAFETY INTERLOCK MECHANISMS.**
- 6. DO NOT OPERATE ANY APPLIANCE WITH A DAMAGED CORD OR PLUG, OR AFTER THE APPLIANCE MALFUNCTIONS, OR IS DROPPED OR DAMAGED IN ANY MANNER. RETURN APPLIANCE TO THE NEAREST AUTHORIZED SERVICE FACILITY FOR EXAMINATION, REPAIR OR ELECTRICAL OR MECHANICAL ADJUSTMENT.**
- 7. THE USE OF ATTACHMENTS NOT RECOMMENDED OR SOLD BY THE MANUFACTURER MAY CAUSE FIRE, ELECTRIC SHOCK OR INJURY.**
- 8. DO NOT LET CORD HANG OVER EDGE OF TABLE OR COUNTER.**
- 9. ALWAYS MAKE SURE HOPPER IS SECURELY FASTENED IN PLACE BEFORE MOTOR IS TURNED ON. DO NOT UNFASTEN HOPPER WHILE JUICER IS IN OPERATION.**
- 10. BE SURE TO TURN SWITCH TO OFF POSITION AFTER EACH USE OF YOUR JUICER. MAKE SURE THE MOTOR STOPS COMPLETELY BEFORE DISASSEMBLING.**
- 11. DO NOT PUT YOUR FINGERS OR OTHER OBJECTS INTO THE JUICER WHILE IT IS IN OPERATION. IF FOOD BECOMES LODGED IN OPENING, USE FOOD PUSHER OR ANOTHER PIECE OF FRUIT OR VEGETABLE TO PUSH IT DOWN. WHEN THIS METHOD IS NOT POSSIBLE, TURN THE MOTOR OFF AND DISASSEMBLE JUICER TO REMOVE THE REMAINING FOOD.**
- 12. DO NOT USE OUTDOORS.**
- 13. DO NOT PLACE ON OR NEAR A HOT GAS OR ELECTRIC BURNER OR IN A HEATED OVEN.**
- 14. DO NOT USE APPLIANCE FOR OTHER THAN INTENDED USE.**

English

## SAVE THESE INSTRUCTIONS

## CONTENTS

- p.04 1. Precautions for Safe Use
- p.05 2. Precautions During Use
- p.06 3. Power Switch Guide /  
4. Precautions Before Juicing
- p.08 5. Components
- p.10 6. How to Assemble
- p.12 7. Assembly and Disassembly of Silicone
- p.14 8. How to Use
- p.15 9. When Screw Stops During Use
- p.16 10. How to Disassemble and Clean
- p.17 11. Before Requesting Repair

## Before Reading Manual

1. Read 'Precautions for Safe Use ' (p. 03~05) and use the appliance properly.
2. After reading the manual, keep it in a convenient location for future reference.
3. Do not use it abroad which has different power supply and voltage.
4. Any quality improvements is subject to change without notice.



### 1. Precautions for Safe Use

- 01 You should read <Safety Precautions>
- 02 You should follow <Safety Precautions>
- 03 Precautions are classified as follows.



**Warning** A violation of any of the warning marks may cause a serious injury or death.

- Do not insert or pull the power cord with wet hands.
- Use the right voltage only as specified on the warranty card and the product specifications. Failure to follow this instruction may result in electric shock, fire, or performance impairment. Connecting to a different voltage may shorten the motor's lifespan or cause malfunction.
- Securely insert the power cord plug all the way into an outlet.
- Do not bend, tie, damage or pull the power cord by force, or place it near a high temperature or heat such as a gas stove. Also, do not place any heavy object on top of the product, wedge it into a narrow space, or alter it.

- Do not remodel it under any circumstances.

Also, do not attempt to dismantle or repair it yourself.

- Do not insert any foreign objects such as a finger or iron pin into any crack or hole in the product body. It may cause a fire, electric shock, injury and/or malfunction. For after-sales service and maintenance of a product, contact the HUROM Customer Service Center.

- When the power plug is damaged, do not repair or remodel it yourself and, instead, visit an after-sales service center or branch store.

- Do not get wet or splash water on the product body. Make sure that no water or foreign material goes into the product's power switch.

- Do not control the power switch with wet hands.

- For safety, ground the power outlet at all times.

Also, do not ground it to a gas pipe, plastic water pipe, or telephone line. Make sure to use a grounded outlet.

- Do not attempt to dismantle any parts of the chamber set or insert foreign objects such as a finger or spoon into the inlet or juice outlet during operation.

- Do not use it within children's reach. Children should be carefully supervised so that they do not play with this device. There is a risk of an injury or malfunction if children accidentally hit and knock it down.

- A person who is not familiar with handling the product should not use it him/herself. Anyone with physical or mental problems or who lacks experience and knowledge should not use it without a supervisor present.

- Do not use the product while wearing or holding any items with magnetic force (e.g. magnetic bracelets). Placing magnetic objects near the product may cause malfunction.

- This product is designed with the drum set resting on top of the base unit. When using this product, operate it on a flat surface, and when opening or closing the hopper lid or juice cap to add ingredients, be sure to hold and stabilize the drum set with one hand to prevent it from shaking or falling.

- When using the product, please use caution as the drum set may cause injury to the user and damage to the product if it becomes detached from the base unit and falls.

- The instructions for appliances shall warn of potential injury from misuse.

- Always disconnect the appliance from the supply if it is left unattended and before assembling, disassembling or cleaning.

- Switch off the appliance and disconnect from supply before changing accessories or approaching parts that move in use.

- This appliance is intended to be used in household and similar applications such as staff kitchen areas in shops, offices and other working environments.

-farm houses.

-clients in hotels, motels, and other residential-type environments.

-bed and breakfast-type environments.



**Caution** A violation of any of the caution marks may lead to a serious injury or death.

- **Do not operate the product unless the product body set and chamber set are securely connected.**
- **If there is a gas leak, etc., do not touch the power cord but, instead, open the windows and thoroughly ventilate the area.**
- **If the squeezing screw stops spinning during normal operation, press the "REV" button and hold for 3 to 5 seconds to activate reverse rotation. After reverse rotation stops completely, press "ON" button again to resume normal operation.** If the screw continues to stop during the operation, the parts may be damaged or performance may be impaired due to overheating in the motor. When such a problem continues, stop using the product and contact our local customer service center.
- **Do not move the product body, or disassemble or assemble the chamber set or parts during operation.** Make sure to stop the operation and pull out the power cord beforehand.
- **When using the product, be careful so that a tie, long necklace, scarf, etc. doesn't get into the inlet.**
  - **Place this product on an even and stable surface for use.**
- **Do not use the product for more than 30 minutes continuously each time.** It may overheat the motor to cause malfunction. To operate it again, completely stop the device for about 5 minutes before use.
- **Do not exert any excessive shock to or drop the product.** The product may be damaged.
- **Do not use a product if it is damaged.**  
A damaged product may not be safe and may cause functionality issues.
- **If the device produces any unusual sounds, excessive heat or smoke, stop using it immediately and contact the Customer Service Center.** The smell experienced when using a new product will naturally go away over time.
- **Pull the power cord plug from the outlet when it is not in use.** Also, when pulling the power cord, make sure to grab the plug to pull it.
- **Do not clean the product at a temperature of 80°C or higher.** Do not place it in a dishwasher, dryer, microwave, etc. It may cause malfunction and/or deformation of parts.
- **The product weighs approximately 4.3 kg. When moving the product, make sure to securely hold the product body with both hands.** If you move it by holding just the chamber or the sides of the product body, the body may fall to cause a bodily injury or malfunction.
- **Do not use this household-use product for commercial purposes. Excessive extraction of a large amount of ingredients may cause damage to the parts.** In case it is to be used for commercial purposes, please contact the Customer Service Center on the method of use.



## 2. Precautions During Use

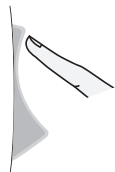
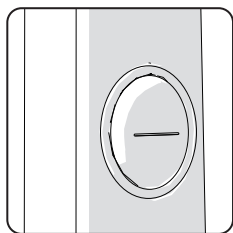
- **Make sure to thoroughly understand how to prepare ingredients and prepare them properly before inserting them.**
  - Poorly prepared ingredients may hinder the extraction process and/or cause damage to the product.
- **Ingredients in need of extra care**
  - When using soft ingredients alone such as bananas, ripened kiwi and tomatoes, the juice may stagnate inside the chamber, which can make juicing difficult. Please add other ingredients that are not too soft.
  - When inserting walnuts, peanuts, almonds, sunflower seeds, pine nuts, beans, etc., add only a small amount or add them with other ingredients after soaking them in water.
- **Ingredients unable to be juiced**
  - Do not insert ingredients that cannot be juiced such as sesame seeds, coffee beans, Chinese peppers, tree barks and pine needles. Do not insert mudfish, eels, shrimp, marsh snails, squids, etc.
  - Do not insert fruits soaked in alcohol, honey or sugar (grapes, raspberries, mulberries, etc.) and enzymes (glasswort, rock pine enzymes, etc.).
  - Do not insert ingredients whose attributes make them difficult to be juiced such as silverberries, aloe, cactus, quince, yams, kudzu root, sugar cane, acorn and dandelions.
  - Do not insert ice made by freezing water.
- **It is recommended that you consume extracted vegetable juice immediately, if possible, and do not refrigerate it for a long period of time.**
- **Do not use this product for pulverizing grains. It may cause damage or malfunction.**
- **Do not re-extract juice from pulp that has already been juiced.**
- **Do not conduct any idle run of the product before inserting any ingredients.**
- **Do not insert ingredients into the hopper above the guided limit mark.**
- **Do not use it for more than 30 minutes continuously.**
  - It may overheat the motor to cause malfunction. However, when using it continuously, pause the operation and use it after a break of over 5 minutes.
- **Do not insert a chopstick or spoon into the juice/pulp outlet during operation.**
- **Do not operate the power switch with wet hands.**
  - It may cause electric shock, short circuit and/or fire. Do not get foreign substances on or near the power switch.
- **Use it with the juice cap open.**
  - The juice can flow backwards into the hopper if the juice cap is closed while juicing.
- **Do not use when there is a large amount of water or vegetable juice in the upper section of the body.**
- **If it is difficult to separate the chamber from the main body after juicing, separate it after performing a reverse rotation.**

**Note**

1. Withered ingredients, which have been stored for a long time in the refrigerator, or frozen fruits may produce only a small amount of juice or none at all.
2. If the product is not cleaned immediately after use, the pulp may dry up, which makes it difficult to disassemble and clean it and also cause performance impairment. So, if possible, clean it immediately after use.

**3. Power Switch Guide**

Press and hold the switch for the product operations.



[ON] : ON - Starts the motor and makes juice.



[○] : Stop - Press it to stop the operation of the product.



[REV] : REV - Press when the production halts while in use due to material overload. ※ The appliance works only when the button is pressed, and it stops when the button is released.

※ If you have an allergy, make sure to select proper ingredients for your body when preparing the ingredients.

※ For the method of and notes on using the device for each ingredient, please refer to the recipe book.

※ Prepare ingredients in sizes able to be inserted into the hopper. If you want to juice a large volume or perform fast juicing, cut the ingredients into smaller pieces before inserting them. For about 1 kg, repeat the "disassemble and clean after juicing" step for use.

-Juicing a large amount of ingredients without washing may put extra strain on the product.

※ Do not insert ingredients into the hopper above the guided limit mark.

※ When using boiled or soft ingredients alone, the juice may pool inside the chamber and not be extracted properly. Insert only a small amount or use them with other ingredients.

※ When juicing fibrous fruits and vegetables, the juice may thicken.

※ Inserting the following ingredients, which are impossible to be juiced, may lead to damage or malfunction.

- Ingredients that cannot be juiced such as sesame seeds, coffee beans, Chinese peppers, tree barks and pine needles, as well as mudfish, eels, shrimp, marsh snails, squids, etc.
- Fruits soaked in alcohol, honey or sugar (grapes, raspberries, mulberries, etc.) and enzymes (glasswort, rock pine enzymes, etc.)
- Ingredients whose attributes make them difficult to be juiced such as silverberries, aloe, cactus, quince, bananas, yams, kudzu root, sugar cane, acorns and dandelions
- Ice made by freezing water

※ Do not use it for pulverizing grains.

※ Refer to the instructions in <Precautions During Operation> (refer to p. 05).

## 4-1. How to Prepare Ingredients

- As certain ingredients need extra care during preparation, please refer to the following instructions on how to prepare the ingredients.
- When juicing several times or in bulk, make sure to cut ingredients into small pieces, and then repeat the "disassemble and clean after juicing" step.
- For faster juicing, mince the ingredients into fine pieces.

### Citrus fruits

#### Grapefruit, oranges, lemons, etc.

Prepare the ingredients by peeling and cutting them into smaller pieces to fit in the hopper inlet. Remove all hard, unchewable seeds before insertion.

### Fruits with thick peel

#### Pineapples, dragon fruit, melons, watermelons, pomegranate, etc.

Prepare the ingredients by peeling and cutting them into smaller pieces to fit in the hopper inlet. Remove all hard, unchewable seeds before insertion.

### Seeded fruits

#### Grapes, apples, peaches, persimmons, plums, cherries, pears, Korean melons, etc.

For ingredients containing hard, unchewable seeds or large-sized seeds such as those in peaches, make sure to remove the seeds first and cut and prepare only the flesh. Hard seeds may stop the operation or damage the parts. Apple seeds contain toxicity so remove them as much as possible. For grapes, pluck each grape from the bunch after cleaning them thoroughly. Do not extract only the ingredients that are too soft; instead, mix them with other fruits and vegetables.

### Soft fruits

#### Single extraction (berries, cherry tomatoes, pineapples, etc.)

※ Thoroughly clean and cut the ingredients into small pieces that can fit in the hopper inlet. For fruits and vegetables with stalks, remove the stalks first.

#### Mixed extraction (strawberries, kiwi, bananas, tomatoes, mangoes, etc.)

### Root vegetables

#### Carrots, beets, ginger, sweet potatoes, potatoes, garlic, etc.

Wash the ingredients in running water to remove dirt and other foreign substances. For fibrous ingredients such as ginger, peel the outer skin and cut them into small pieces. For long ingredients, cut them vertically for extraction.

### Leaf and stem vegetables

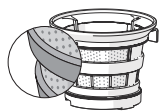
#### Celery, kale, cabbage, water parsley, wheatgrass, chives, etc.

Cut the ingredients into 3-cm or shorter pieces for extraction. Since leaf and stem vegetables are rough and fibrous, they are not easily juiced and can get caught in the Multi-screw.

- When juicing ingredients other than root, leafy and stem vegetables, the juice may stagnate.

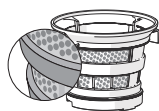
## How to Use Each Strainer

### Fine Strainer



Used to extract vegetables and fruit to make juice

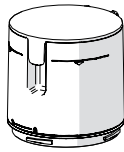
### Coarse Strainer (sold separately)



A coarse strainer has large openings so it is primarily used to make thick juice with solid flesh. It is ideal for when using bananas, strawberries and other ingredients whose flesh is soft as well as ingredients with thick juice. It is useful to make a smoothie, latte or soup.

Hopper part

Hopper



Chamber part

Screw



Fine Strainer



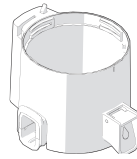
Coarse Strainer  
(sold separately)



Spinning brush



Chamber

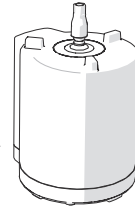


Body part

Power cord



Body



Accessory part

Pulp cup



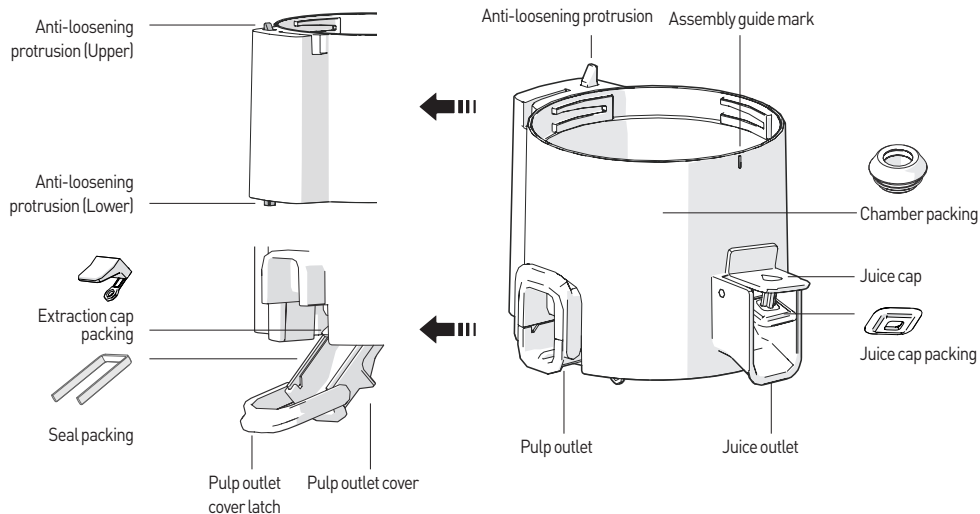
Juice cup



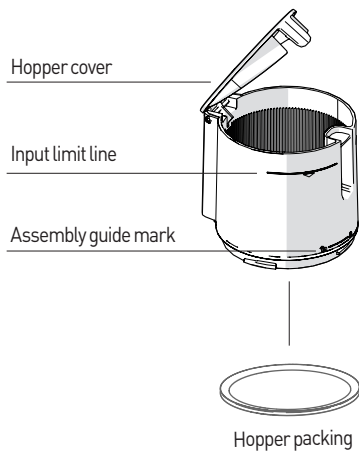
Cleaning brush



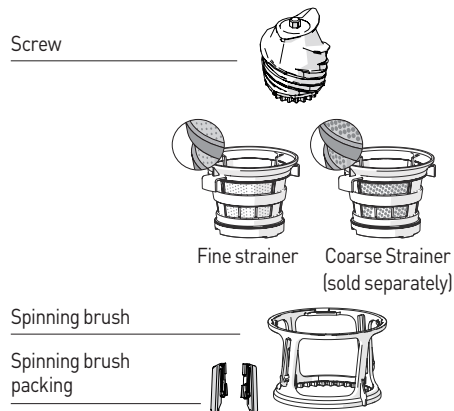
### Chamber details



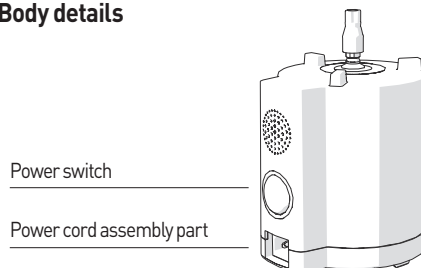
### Hopper details



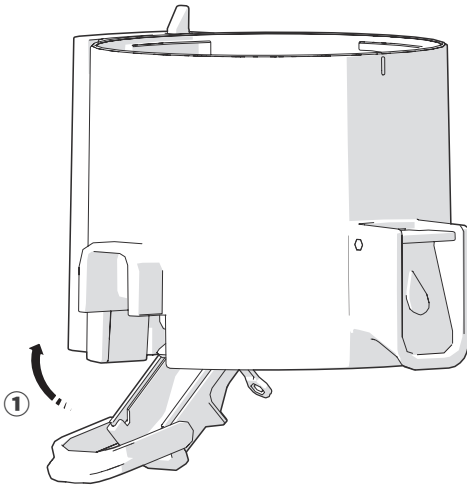
### Screw / Strainer detail



### Body details



## 01 Assemble Pulp outlet cover

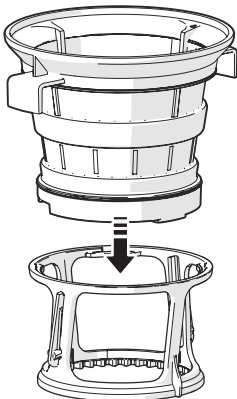


**Close the pulp outlet cover and hook the ring.**

If the packing is incorrectly assembled or the latch is not properly closed, the pulp outlet cover may open or juice may leak during extraction.

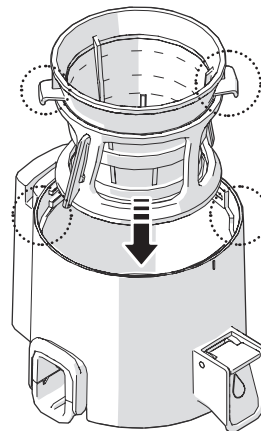
※ Check if the extraction packing and seal packing are installed.

## 02 Assemble fine strainer + spinning brush



Assemble the fine strainer and rotation brush as shown in the figure. Push it all the way in.

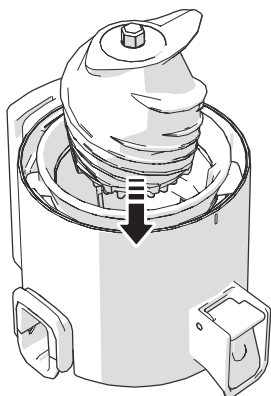
## 03 Assembling chamber



\*Check the strainer blades and the size of the chamber groove!

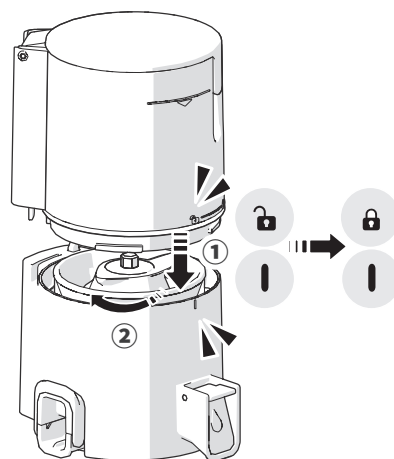
Align the fine strainer + rotation brush set, assembled on the chamber, on the chamber groove as shown in the figure.

## 04 Assembling screw



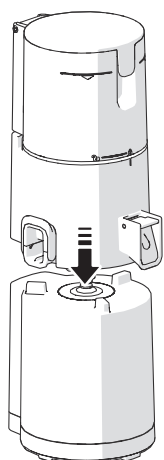
**Insert the screw on the assembled chamber.**  
Push it all the way in until it no longer goes in.

## 05 Assembling hopper



**Align the marks on the chamber and hopper to assemble, and then rotate it clockwise to assemble it completely.**

## 06 Assembling body



**Position the appropriately assembled chamber set onto the body.**

### Note

**Lower the hopper cover to close it until a click sound is heard.**

If the hopper cover is not properly closed, the product may not work correctly.

**Instead of assembling it on the body, assemble the chamber set separately first and then place the entire set on top of the body.**

If it is not assembled exactly as the assembly guide, it may be difficult to assemble it correctly.

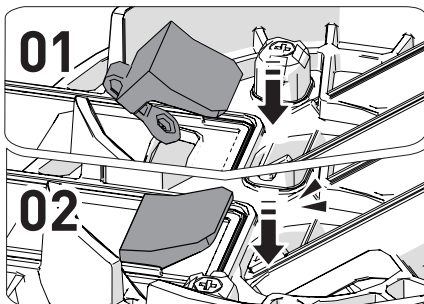
**When disassembling the drum set, if the lower part of the anti-loosening protrusion is pressed, the hopper will not open for safety reasons.**

Please check the anti-loosening protrusion before disassembly.

## 12 7. Assembly and Disassembly of Silicone

※ Silicone packings are consumables that are recommended to be replaced once every 6 to 12 months. They are available for purchase through the Customer Service Center.  
(The juicer may leak if the product is not assembled properly.)

### Extraction Packing



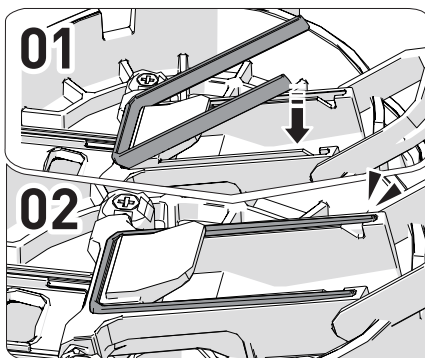
#### Disassembly

Hold and take out the packing as if you are pulling it back. There is a ring on the packing so it won't be disassembled completely.

#### Assembly

After cleaning, insert the convex part of the packing as if you are hooking it and then press it down.

### Seal Packing



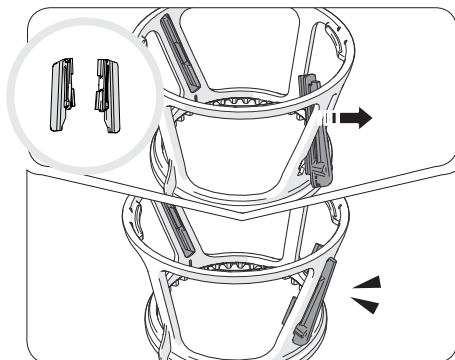
#### Disassembly

Hold and take out the packing as if you are pulling it back.

#### Assembly

After cleaning, insert one side of the packing first as if you are hooking it. Insert the remaining part and press down the perimeter.

### Spinning brush packing



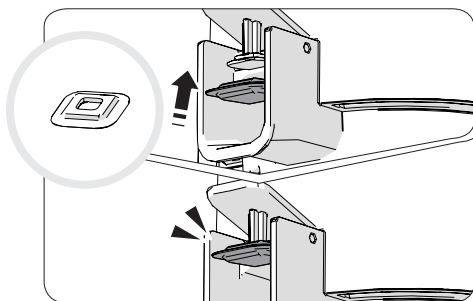
#### Disassembly

Hold the packing and pull it out as if flipping it inward.

#### Assembly

After washing, assemble the spinning brush packing by pulling it from the inside to the outside, as demonstrated in the picture. Firmly grip both the top and bottom of the outer wings of the spinning brush packing, and pull them tight.

### Juice Cap Packing



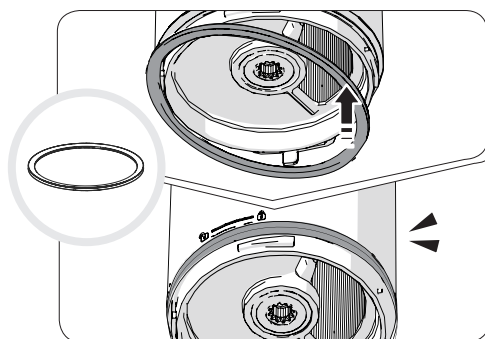
#### Disassembly

Hold and take out the packing as if you are pulling it back.

#### Assembly

After cleaning, insert one side of the packing first as if you are hooking it. Insert the remaining part and press down the perimeter.

### Hopper Packing



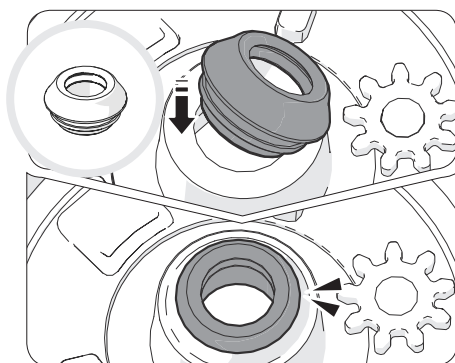
#### Disassembly

Hold and take out the packing as if you are pulling it back.

#### Assembly

After cleaning, insert one side of the packing first as if you are hooking it. Insert the remaining part and press down the perimeter.

### Chamber Packing

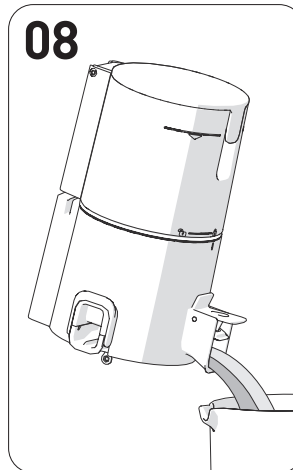
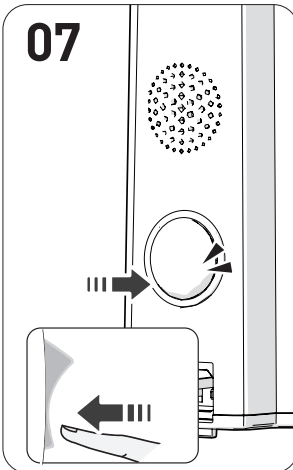
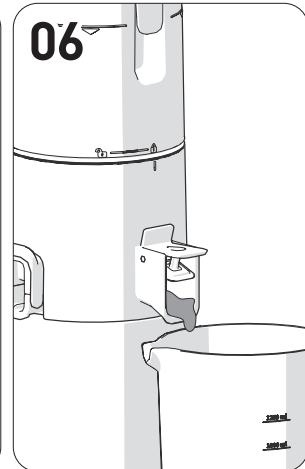
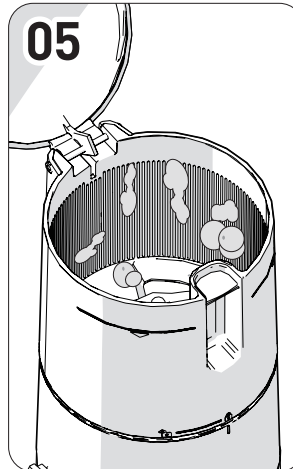
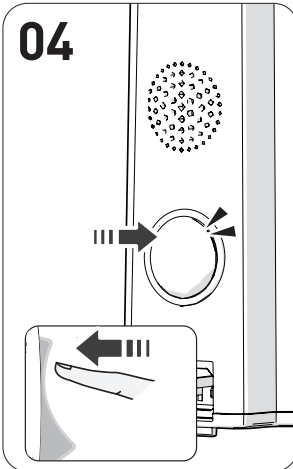
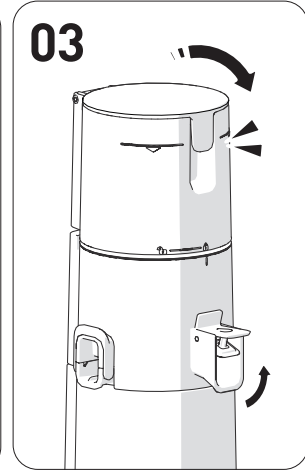
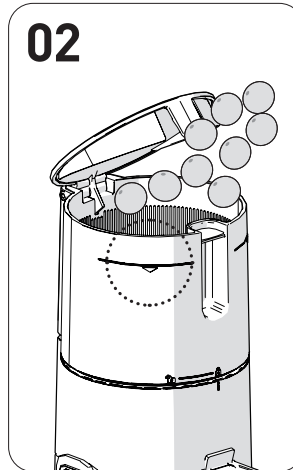
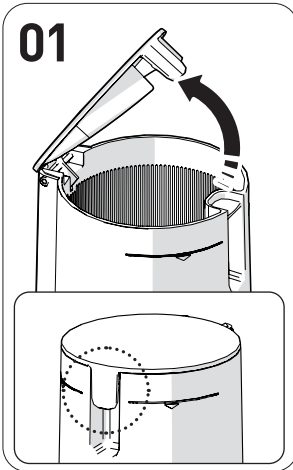


#### Disassembly

Hold and take out the packing as if you are pulling it back.

#### Assembly

After cleaning, check the top and bottom of the packing and insert it as if you are hooking one side. Firmly press the remaining part of the packing without any folded area.



**01 Open the hopper cover.**

① Pull the hopper cover lever to open it.  
Inserting an excessive amount of ingredients may exert severe pressure on the product.

**02 Add ingredients only up to the limit mark of the hopper.**

① For soft ingredients, mixing them with other ingredients for extraction.

**03 Close the hopper cover and keep the juice cap open.**

① Before pressing the ON button, put the juice container in place.  
② The juice may flow backwards into the hopper if the juice cap is closed during extraction. If the juice does not come out even after opening the juice cap, open the hopper cover and empty out the contents.

**04 Press the power switch briefly to start operation.**

① The "click" sound during the operation of the product is the sound of the chamber set and the motor being locked together.

**05 During extraction, ingredients may get stuck on the interior wall of the hopper or cutting blades.**

① Press and hold [REV] button for 3 to 5 seconds and release the button 2 to 3 times.  
※ If the material does not move smoothly, open the hopper lid and Please sort it out.

**06 Let the machine operate for about 1 more minute after all ingredients go down in the hopper.**

① It slowly presses and squeezes the ingredients so it takes some time until the last ingredient is juiced.  
② Removing the remaining pulp by additionally operating the machine after extraction makes it more convenient to detach the hopper and clean the parts.  
③ It is easy to remove residual pulp when repeatedly operating reverse and normal rotations.

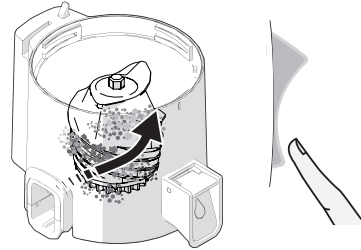
**07 Once the juicing and pulp removal are finished, press the power switch to stop the machine.**

① The machine stops 3 seconds after it is stopped by the power switch.

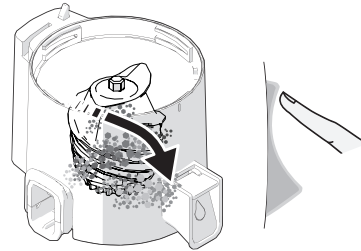
**08 Pour any remaining juice by tilting the chamber forward.**

① For thickly concentrated juice made of tomatoes, etc., the juice may still remain in the chamber.  
② When detaching the chamber, pulp may drip from the product body depending on the ingredients being juiced.

01



02

**01 Press and hold [REV] button for 3 to 5 seconds and release the button 2 to 3 times.**

[REV] button pushes the ingredients back up to dislodge. Reverse rotation continues only when the button is pressed while the screw stops when the button is released.

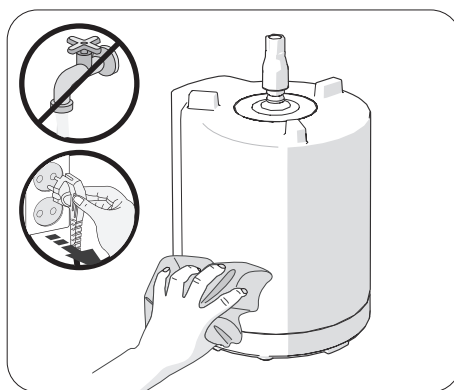
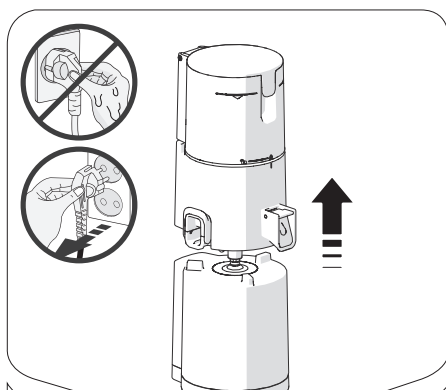
**02 After reverse rotation stops completely, press the [ON] button to run operation.**

When pressing the [ON/Extract] or [REV/Reverse] button, make sure to press it after the screw stops moving completely.

**Note**

If the machine does not work even after following the above steps, pull the power cord plug from the outlet, detach the chamber set, wash it and use it again. Due to its characteristics, the motor will not stop at once but, instead, continue to spin slowly in the direction of operation before coming to a complete stop.

## 16 10. How to Disassemble and Clean



※ After the product stops operating, pull the power cord plug with dry hands. The motor inside the body needs a couple of seconds to stop spinning completely even after the operation stops. Wait for about 3 seconds before detaching the chamber set.

**01** Detach the chamber set from the product body. Turn the hopper to open it and then sequentially pull each of the parts to disassemble them.

**02** Wash the parts with a cleaning brush under running water.

**03** Open the discharge cover and juice cap to clean the chamber.

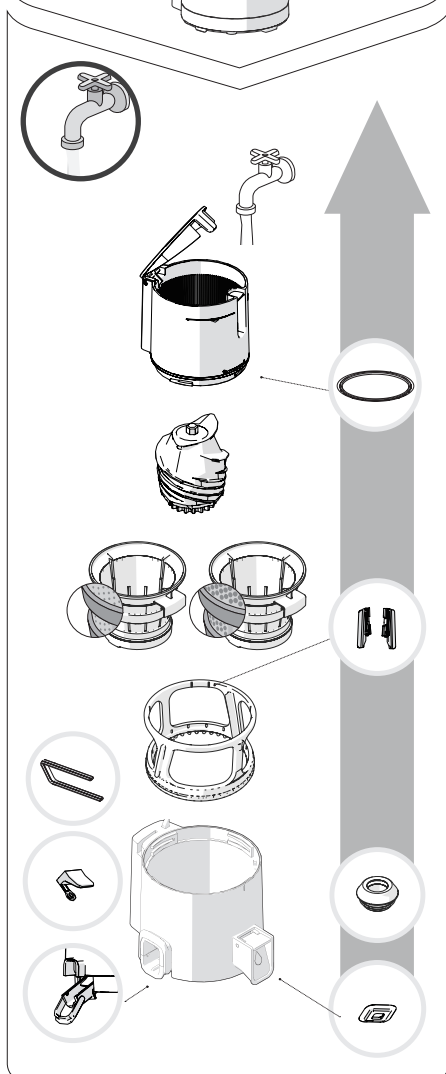
**04** Wipe the product body with a damp towel or soft cloth.

**05** Detach and wash silicone packings after use.

- Residue may still be stuck.  
(hopper packing, juice cap packing, extraction packing, seal packing, chamber packing, Spinning brush packing)

**06** You can sterilize the parts by soaking them in warm water diluted with baking soda, citric acid or vinegar.

※ Failure to clean the product immediately after use may cause its stainless steel parts and other parts to corrode or become discolored due to salt and pulp from the ingredients. Also, contaminants may be dried up and stuck inside, which makes it difficult to disassemble and clean them and may also cause performance impairment. Be sure to clean and air-dry it completely immediately after use and store it in a clean place. For long-term storage, use a cleaning brush to wash it. Do not clean with boiling or high-temperature water or use a cleansing sponge, steel sponge, abrasives and other sharp cleaning tools. Do not place it in a dishwasher or dish dryer.



## 11. Before Requesting Repair

Check the following before asking for repair. For follow-up service and any inquiry you may have while using the product, please contact our Customer Center, or homepage at <http://www.globalhurom.com> Check the manufacturer's number or the number under the barcode when requesting for follow-up service or parts.

17

English

<p><b>01. When the product starts operating, a "click" sound is heard.</b></p>	<p>It is the sound of the motor being assembled with the Multi-screw. This is not a malfunction.</p>
<p><b>02. The product does not start only with the product body.</b></p>	<p>Check if the chamber set and product body are properly assembled. The product does not operate only with the product body. Make sure to turn the power off before assembling or disassembling the chamber set onto the body.</p>
<p><b>03. The hopper and the chamber do not be assembled.</b></p>	<p>Check if the marks on the sides of a chamber and a hopper are aligned and rotated clockwise for assembly.</p>
<p><b>04. The product does not operate.</b></p>	<p>Check if the power cord is properly plugged. More than 30 minutes of operation may have the product stop for a while until the product body (motor) cools down enough. Restart operation for some minutes later.</p>
<p><b>05. It stops during a normal operation.</b></p>	<p>Check if the hopper is properly assembled. If the hopper is assembled incorrectly, the product will not work. It will operate only when the lock symbol on the chamber and the hopper's assembly guide mark are assembled in a way that they face each other. Check if the product is assembled according to the steps specified in the assembly guide. Refer to the assembly guide page (page 11). Check if an excessive amount of ingredients or extremely thick ingredients are inserted. Refer to Page 15 of the manual to activate a reverse rotation. For safety, a timer is set to stop operation after 5 minutes from the start. Press the switch again to restart operation.</p>
<p><b>06. There are marks that look like scratch on the side or the top of the multi-screw.</b></p>	<p>some of curve-shaped or lined mold marks may be created on the surface of screws during the molding process, which is normal and does not affect the operation at all.</p>
<p><b>07. Juice leaks through the pulp outlet immediately after the ingredients are inserted.</b></p>	<p>Depending on the inserted ingredients, small amounts of juice may leak through the pulp outlet. This is not a product defect but, rather, a phenomenon caused by the characteristics of the ingredients. The leakage will stop once the product starts running. If the leakage continues, contact the Customer Service Center.</p>
<p><b>08. Juice flows back into the hopper.</b></p>	<p>Did you extract juice with the juice cap closed? When juicing with the juice cap closed, the juice may flow backward into the hopper. If the contents are not sufficiently discharged even after opening the juice cap again, open the hopper cover and empty out the contents.</p>
<p><b>09. Juice leaks between the hopper and the chamber, or between the chamber and the product body.</b></p>	<p>Is the hopper packing or chamber packing assembled correctly? The juice will leak if the hopper packing or chamber packing has been assembled upside-down or incompletely. Check if the packing is assembled properly.</p>
<p><b>10. The hopper does not open.</b></p>	<p>There may be excessive pulp remaining inside. Operate the machine for a while to discharge the pulp inside. Or, repeat pressing the reverse button for 10 seconds and releasing it 2 to 3 times. Then, the hopper will open without any issue. Weren't any foreign substances or solid matters (hard seeds such as persimmon seeds) inserted? If any foreign substances or solid matters are inserted, parts may be damaged more seriously when attempting a reverse rotation so contact the Customer Service Center and request for after-sales service.</p>
<p><b>11. The chamber shakes (during juicing).</b></p>	<p>The product may wobble slightly due to the motions of its motor. Depending on the ingredients' characteristics (hard or tough), motions are generated in various magnitudes. This is not a malfunction but, rather, a normal phenomenon observed when the Multi-screw rotates. Compared to soft ingredients with much water content, relatively harder ingredients may seem to produce a greater shaking (e.g., carrots, potatoes, radishes, beet, kohlrabi, etc.)</p>
<p><b>12. An unusual noise is heard while juicing.</b></p>	<p>It is natural for certain extent of sound to occur when ingredients are being crushed. If the ingredients are hard or tough like apples, carrots, cabbage, celery, beets, etc., the extraction noise may be louder compared to juicing sounds of softer ingredients.</p>