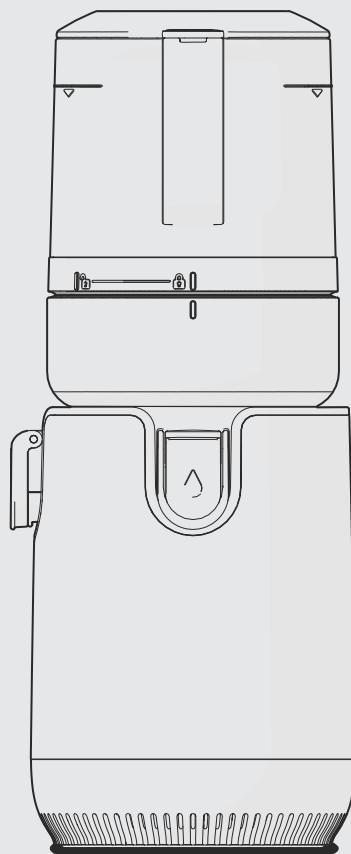


HUROM PRODUCT

INSTRUCTION MANUAL



HUROM

p03 English

p18 Deutsch

p32 Français

p48 Italiano

p62 Český

P.03-P.17 English

Instruction Manual | E50ST Series

[Home use only / Warranty not included]

P.18-P.31 Deutsch

Bedienungsanleitung | Serie E50ST

[nur zum Haushaltsgebrauch / Garantie nicht enthalten]

P.32-P.47 Français

Mode d'emploi | Série E50ST

[Utilisation domestique uniquement / Garantie non incluse]

P.48-P.61 Italiano

Manuale di istruzioni | Serie E50ST

[Solo per uso domestico / Garanzia non inclusa]

P.62-P.75 Český

Návod k použití | Řada E50ST

[Pouze pro domácí použití / záruka není zahrnuta]

IMPORTANT SAFEGUARDS

WHEN USING ELECTRICAL APPLIANCES, BASIC SAFETY PRECAUTIONS SHOULD ALWAYS BE FOLLOWED INCLUDING THE FOLLOWING:

English

- 1. WHEN USING ELECTRICAL APPLIANCES, BASIC SAFETY PRECAUTIONS SHOULD ALWAYS BE FOLLOWED. READ ALL INSTRUCTIONS.**
- 2. TO PROTECT AGAINST RISK OF ELECTRICAL SHOCK, DO NOT PUT THE MAIN BODY (MOTOR) IN WATER OR ANY OTHER LIQUID.**
- 3. THIS APPLIANCE IS NOT INTENDED FOR USE BY PERSONS (INCLUDING CHILDREN) WITH REDUCED PHYSICAL, SENSORY, OR MENTAL CAPABILITIES, OR LACK OF EXPERIENCE AND KNOWLEDGE, UNLESS THEY ARE CLOSELY SUPERVISED AND INSTRUCTED CONCERNING USE OF THE APPLIANCE BY A PERSON RESPONSIBLE FOR THEIR SAFETY. CLOSE SUPERVISION IS NECESSARY WHEN ANY APPLIANCE IS USED BY OR NEAR CHILDREN. CHILDREN SHOULD BE SUPERVISED TO ENSURE THAT THEY DO NOT PLAY WITH THE APPLIANCE.**
- 4. TURN THE APPLIANCE OFF, THEN UNPLUG FROM THE OUTLET WHEN NOT IN USE, BEFORE ASSEMBLING OR DISASSEMBLING PARTS AND BEFORE CLEANING. TO UNPLUG, GRASP THE PLUG AND PULL FROM THE OUTLET. NEVER PULL FROM THE POWER CORD.**
- 5. AVOID CONTACTING MOVING PARTS. DO NOT ATTEMPT TO DEFEAT ANY SAFETY INTERLOCK MECHANISMS.**
- 6. DO NOT OPERATE ANY APPLIANCE WITH A DAMAGED CORD OR PLUG, OR AFTER THE APPLIANCE MALFUNCTIONS, OR IS DROPPED OR DAMAGED IN ANY MANNER. RETURN APPLIANCE TO THE NEAREST AUTHORIZED SERVICE FACILITY FOR EXAMINATION, REPAIR OR ELECTRICAL OR MECHANICAL ADJUSTMENT.**
- 7. THE USE OF ATTACHMENTS NOT RECOMMENDED OR SOLD BY THE MANUFACTURER MAY CAUSE FIRE, ELECTRIC SHOCK OR INJURY.**
- 8. DO NOT LET CORD HANG OVER EDGE OF TABLE OR COUNTER.**
- 9. ALWAYS MAKE SURE HOPPER IS SECURELY FASTENED IN PLACE BEFORE MOTOR IS TURNED ON. DO NOT UNFASTEN HOPPER WHILE JUICER IS IN OPERATION.**
- 10. BE SURE TO TURN SWITCH TO OFF POSITION AFTER EACH USE OF YOUR JUICER. MAKE SURE THE MOTOR STOPS COMPLETELY BEFORE DISASSEMBLING.**
- 11. DO NOT PUT YOUR FINGERS OR OTHER OBJECTS INTO THE JUICER WHILE IT IS IN OPERATION. IF FOOD BECOMES LODGED IN OPENING, USE FOOD PUSHER OR ANOTHER PIECE OF FRUIT OR VEGETABLE TO PUSH IT DOWN. WHEN THIS METHOD IS NOT POSSIBLE, TURN THE MOTOR OFF AND DISASSEMBLE JUICER TO REMOVE THE REMAINING FOOD.**
- 12. DO NOT USE OUTDOORS.**
- 13. DO NOT PLACE ON OR NEAR A HOT GAS OR ELECTRIC BURNER OR IN A HEATED OVEN.**
- 14. DO NOT USE APPLIANCE FOR OTHER THAN INTENDED USE.**

SAVE THESE INSTRUCTIONS

CONTENTS

- p.04 1. Precautions for Safe Use
- p.05 2. Precautions During Use
- p.06 3. Power Switch Guide /
4. Precautions Before Juicing
- p.08 5. Components
- p.10 6. How to Assemble
- p.12 7. Assembly and Disassembly of Silicone
- p.14 8. How to Use
- p.15 9. When Screw Stops During Use
- p.16 10. How to Disassemble and Clean
- p.17 11. Before Requesting Repair

Before Reading Manual

1. Read 'Precautions for Safe Use ' (p. 03~05) and use the appliance properly.
2. After reading the manual, keep it in a convenient location for future reference.
3. Do not use it abroad which has different power supply and voltage.
4. Any quality improvements is subject to change without notice.



1. Precautions for Safe Use

- 01 You should read <Safety Precautions>
- 02 You should follow <Safety Precautions>
- 03 Precautions are classified as follows.



Warning A violation of any of the warning marks may cause a serious injury or death.

- **Do not insert or pull the power cord with wet hands.**
- **Use the right voltage only as specified on the warranty card and the product specifications. Failure to follow this instruction may result in electric shock, fire, or performance impairment.** Connecting to a different voltage may shorten the motor's lifespan or cause malfunction.
- **Securely insert the power cord plug all the way into an outlet.**
- **Do not bend, tie, damage or pull the power cord by force, or place it near a high temperature or heat such as a gas stove. Also, do not place any heavy**

object on top of the product, wedge it into a narrow space, or alter it.

- **Do not remodel it under any circumstances.**

Also, do not attempt to dismantle or repair it yourself.

- **Do not insert any foreign objects such as a finger or iron pin into any crack or hole in the product body.** It may cause a fire, electric shock, injury and/or malfunction. For after-sales service and maintenance of a product, contact the HUROM Customer Service Center.

- **When the power plug is damaged, do not repair or remodel it yourself and, instead, visit an after-sales service center or branch store.**

- **Do not get wet or splash water on the product body.** Make sure that no water or foreign material goes into the product's power switch.

- **Do not control the power switch with wet hands.**

- **For safety, ground the power outlet at all times.**

Also, do not ground it to a gas pipe, plastic water pipe, or telephone line. Make sure to use a grounded outlet.

- **Do not attempt to dismantle any parts of the chamber set or insert foreign objects such as a finger or spoon into the inlet or juice outlet during operation.**

- **Do not use it within children's reach. Children should be carefully supervised so that they do not play with this device.** There is a risk of an injury or malfunction if children accidentally hit and knock it down.

- **A person who is not familiar with handling the product should not use it him/herself.** Anyone with physical or mental problems or who lacks experience and knowledge should not use it without a supervisor present.

- **Do not use the product while wearing or holding any items with magnetic force (e.g. magnetic bracelets).**

Placing magnetic objects near the product may cause malfunction.

- **The instructions for appliances shall warn of potential injury from misuse.**

- **Always disconnect the appliance from the supply if it is left unattended and before assembling, disassembling or cleaning.**

- **Switch off the appliance and disconnect from supply before changing accessories or approaching parts that move in use.**

- **This appliance is intended to be used in household and similar applications such as staff kitchen areas in shops, offices and other working environments.**

-farm houses.

-clients in hotels, motels, and other residential-type environments.

-bed and breakfast-type environments.



Caution A violation of any of the caution marks may lead to a serious injury or death.

- **Do not operate the product unless the product body set and chamber set are securely connected.**
- **If there is a gas leak, etc., do not touch the power cord but, instead, open the windows and thoroughly ventilate the area.**
- **If the squeezing screw stops spinning during normal operation, press the "REV" button and hold for 3 to 5 seconds to activate reverse rotation. After reverse rotation stops completely, press "ON" button again to resume normal operation.** If the screw continues to stop during the operation, the parts may be damaged or performance may be impaired due to overheating in the motor. When such a problem continues, stop using the product and contact our local customer service center.
- **Do not move the product body, or disassemble or assemble the chamber set or parts during operation.** Make sure to stop the operation and pull out the power cord beforehand.
- **When using the product, be careful so that a tie, long necklace, scarf, etc. doesn't get into the inlet.**
- **Place this product on an even and stable surface for use.**
- **When inserting ingredients into the inlet, do not use a chopstick, spoon, any hard object or anything other than the pusher.**
- **Do not use the product for more than 30 minutes continuously each time.** It may overheat the motor to cause malfunction. To operate it again, completely stop the device for about 5 minutes before use.
- **Do not exert any excessive shock to or drop the product.** The product may be damaged.
- **Do not use a product if it is damaged.** A damaged product may not be safe and may cause functionality issues.
- **If the device produces any unusual sounds, excessive heat or smoke, stop using it immediately and contact the Customer Service Center.** The smell experienced when using a new product will naturally go away over time.
- **Pull the power cord plug from the outlet when it is not in use.** Also, when pulling the power cord, make sure to grab the plug to pull it.
- **Do not clean the product at a temperature of 80°C or higher.** Do not place it in a dishwasher, dryer, microwave, etc. It may cause malfunction and/or deformation of parts.
- **The product weighs approximately 5.5 kg. When moving the product, make sure to securely hold the product body with both hands.** If you move it by holding just the chamber or the sides of the product body, the body may fall to cause a bodily injury or malfunction.
- **Do not use this household-use product for commercial purposes. Excessive extraction of a large amount of ingredients may cause damage to the parts.** In case it is to be used for commercial purposes, please contact the Customer Service Center on the method of use.



2. Precautions During Use

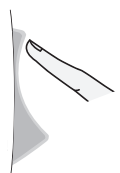
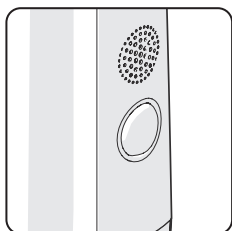
- **Make sure to thoroughly understand how to prepare ingredients and prepare them properly before inserting them.**
 - Poorly prepared ingredients may hinder the extraction process and/or cause damage to the product.
- **Ingredients in need of extra care**
 - When using soft ingredients alone such as bananas, ripened kiwi and tomatoes, the juice may stagnate inside the chamber, which can make juicing difficult. Please add other ingredients that are not too soft.
 - When inserting walnuts, peanuts, almonds, sunflower seeds, pine nuts, beans, etc., add only a small amount or add them with other ingredients after soaking them in water.
- **Ingredients unable to be juiced**
 - Do not insert ingredients that cannot be juiced such as sesame seeds, coffee beans, Chinese peppers, tree barks and pine needles. Do not insert mudfish, eels, shrimp, marsh snails, squids, etc.
 - Do not insert fruits soaked in alcohol, honey or sugar (grapes, raspberries, mulberries, etc.) and enzymes (glasswort, rock pine enzymes, etc.).
 - Do not insert ingredients whose attributes make them difficult to be juiced such as silverberries, aloe, cactus, quince, yams, kudzu root, sugar cane, acorn and dandelions.
 - Do not insert ice made by freezing water.
- **It is recommended that you consume extracted vegetable juice immediately, if possible, and do not refrigerate it for a long period of time.**
- **Do not use this product for pulverizing grains. It may cause damage or malfunction.**
- **Do not re-extract juice from pulp that has already been juiced.**
- **Do not conduct any idle run of the product before inserting any ingredients.**
- **Do not insert ingredients into the hopper above the guided limit mark.**
- **Do not use it for more than 30 minutes continuously.**
 - It may overheat the motor to cause malfunction. However, when using it continuously, pause the operation and use it after a break of over 5 minutes.
- **Do not insert a chopstick or spoon into the juice/pulp outlet during operation.**
- **When inserting ingredients, do not use anything other than the pusher.** It may damage the parts or cause a bodily injury and/or malfunction.
- **Do not operate the power switch with wet hands.**
 - It may cause electric shock, short circuit and/or fire. Do not get foreign substances on or near the power switch.
- **Use it with the juice cap open.**
 - The juice can flow backwards into the hopper if the juice cap is closed while juicing.
- **Do not use when there is a large amount of water or vegetable juice in the upper section of the body.**
- **If it is difficult to separate the chamber from the main body after juicing, separate it after performing a reverse rotation.**

Note

1. Withered ingredients, which have been stored for a long time in the refrigerator, or frozen fruits may produce only a small amount of juice or none at all.
2. If the product is not cleaned immediately after use, the pulp may dry up, which makes it difficult to disassemble and clean it and also cause performance impairment. So, if possible, clean it immediately after use.

3. Power Switch Guide

Press and hold the switch for the product operations.



[ON] : ON - Starts the motor and makes juice.



[●] : Stop - Press it to stop the operation of the product.



[REV] : REV - Press when the production halts while in use due to material overload. * The appliance works only when the button is pressed, and it stops when the button is released.

※ If you have an allergy, make sure to select proper ingredients for your body when preparing the ingredients.

※ For the method of and notes on using the device for each ingredient, please refer to the recipe book.

※ Prepare ingredients in sizes able to be inserted into the hopper. If you want to juice a large volume or perform fast juicing, cut the ingredients into smaller pieces before inserting them. For about 1 kg, repeat the "disassemble and clean after juicing" step for use.

-Juicing a large amount of ingredients without washing may put extra strain on the product.

※ Do not insert ingredients into the hopper above the guided limit mark.

※ When using boiled or soft ingredients alone, the juice may pool inside the chamber and not be extracted properly. Insert only a small amount or use them with other ingredients.

※ When juicing fibrous fruits and vegetables, the juice may thicken.

※ Inserting the following ingredients, which are impossible to be juiced, may lead to damage or malfunction.

- Ingredients that cannot be juiced such as sesame seeds, coffee beans, Chinese peppers, tree barks and pine needles, as well as mudfish, eels, shrimp, marsh snails, squids, etc.
- Fruits soaked in alcohol, honey or sugar (grapes, raspberries, mulberries, etc.) and enzymes (glasswort, rock pine enzymes, etc.)
- Ingredients whose attributes make them difficult to be juiced such as silverberries, aloe, cactus, quince, bananas, yams, kudzu root, sugar cane, acorns and dandelions
- Ice made by freezing water

※ Do not use it for pulverizing grains.

※ Refer to the instructions in <Precautions During Operation> (refer to p. 05).

4-1. How to Prepare Ingredients

- As certain ingredients need extra care during preparation, please refer to the following instructions on how to prepare the ingredients.
- When juicing several times or in bulk, make sure to cut ingredients into small pieces, and then repeat the "disassemble and clean after juicing" step.
- For faster juicing, mince the ingredients into fine pieces.

Citrus fruits

Grapefruit, oranges, lemons, etc.

Prepare the ingredients by peeling and cutting them into smaller pieces to fit in the hopper inlet. Remove all hard, unchewable seeds before insertion.

Fruits with thick peel

Pineapples, dragon fruit, melons, watermelons, pomegranate, etc.

Prepare the ingredients by peeling and cutting them into smaller pieces to fit in the hopper inlet. Remove all hard, unchewable seeds before insertion.

Seeded fruits

Grapes, apples, peaches, persimmons, plums, cherries, pears, Korean melons, etc.

For ingredients containing hard, unchewable seeds or large-sized seeds such as those in peaches, make sure to remove the seeds first and cut and prepare only the flesh. Hard seeds may stop the operation or damage the parts. Apple seeds contain toxicity so remove them as much as possible. For grapes, pluck each grape from the bunch after cleaning them thoroughly. Do not extract only the ingredients that are too soft; instead, mix them with other fruits and vegetables.

Soft fruits

Single extraction (berries, cherry tomatoes, pineapples, etc.)

※ Thoroughly clean and cut the ingredients into small pieces that can fit in the hopper inlet. For fruits and vegetables with stalks, remove the stalks first.

Mixed extraction (strawberries, kiwi, bananas, tomatoes, mangoes, etc.)

Root vegetables

Carrots, beets, ginger, sweet potatoes, potatoes, garlic, etc.

Wash the ingredients in running water to remove dirt and other foreign substances. For fibrous ingredients such as ginger, peel the outer skin and cut them into small pieces. For long ingredients, cut them vertically for extraction.

Leaf and stem vegetables

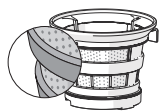
Celery, kale, cabbage, water parsley, wheatgrass, chives, etc.

Cut the ingredients into 3-cm or shorter pieces for extraction. Since leaf and stem vegetables are rough and fibrous, they are not easily juiced and can get caught in the Multi-screw.

- When juicing ingredients other than root, leafy and stem vegetables, the juice may stagnate.

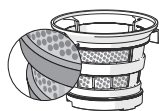
How to Use Each Strainer

Fine Strainer



Used to extract vegetables and fruit to make juice

Coarse Strainer (sold separately)



A coarse strainer has large openings so it is primarily used to make thick juice with solid flesh. It is ideal for when using bananas, strawberries and other ingredients whose flesh is soft as well as ingredients with thick juice. It is useful to make a smoothie, latte or soup.

08 **5. Components**

Hopper part



Chamber part

Screw



Fine Strainer

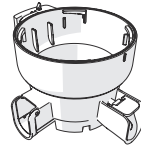


Coarse Strainer
(sold separately)

Spinning brush



Chamber

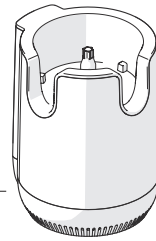


Body part

Power cord

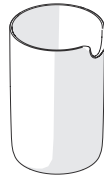


Body



Accessory part

Pulp cup



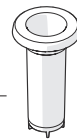
Cleaning brush



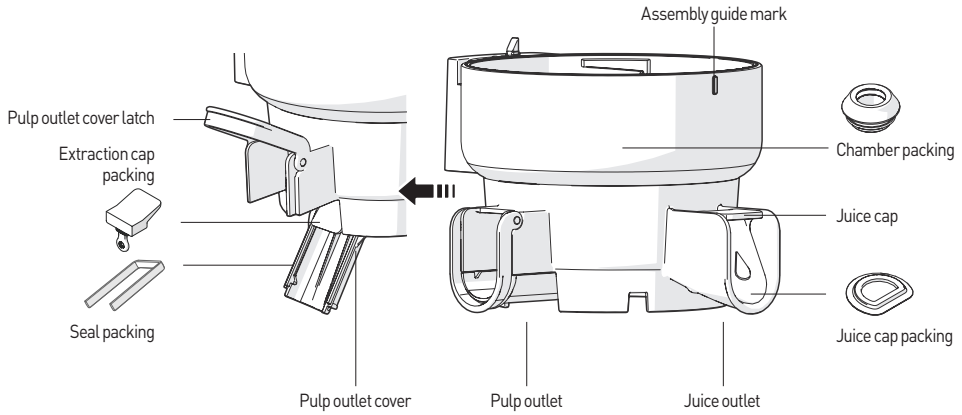
Juice cup



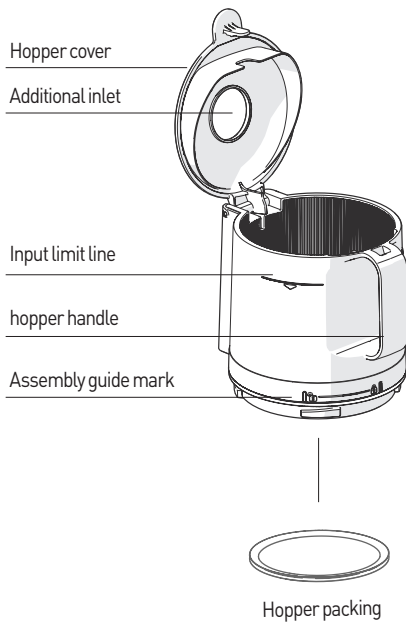
Pusher



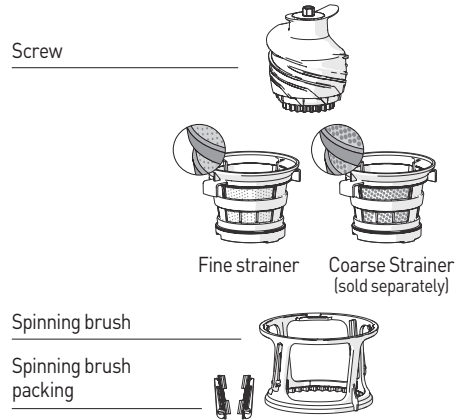
Chamber details



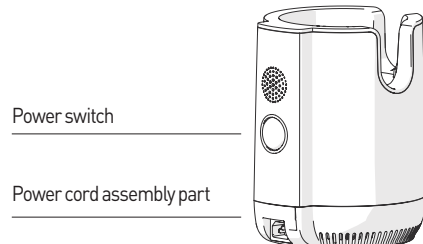
Hopper details



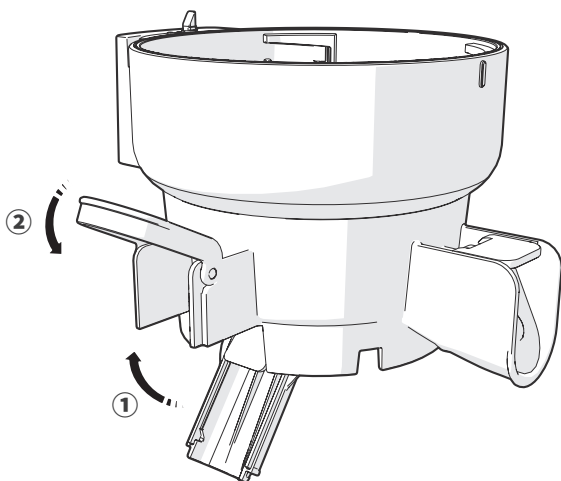
Screw / Strainer detail



Body details



01 Assemble Pulp outlet cover

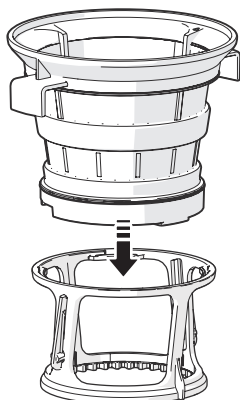


Close the pulp outlet cover and hook the ring.

If the packing is incorrectly assembled or the latch is not properly closed, the pulp outlet cover may open or juice may leak during extraction.

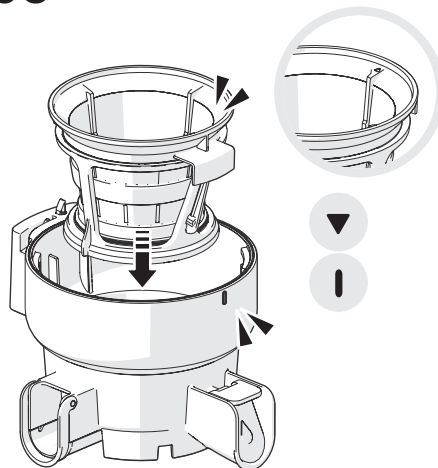
※ Check if the extraction packing and seal packing are installed.

02 Assemble fine strainer + spinning brush



Assemble the fine strainer and rotation brush as shown in the figure. Push it all the way in.

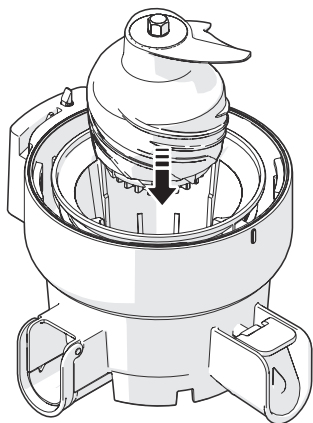
03 Assembling chamber



Align the fine strainer + rotation brush set, assembled on the chamber, on the chamber groove as shown in the figure.

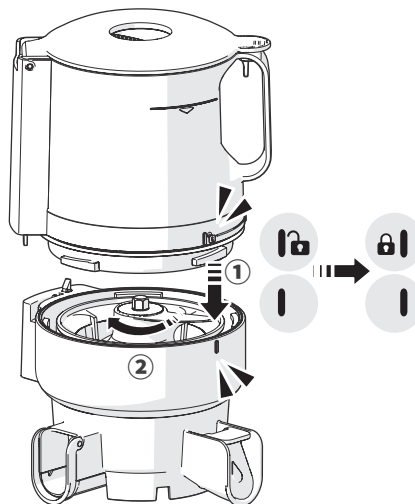
Assemble in a way that the arrow guide mark (▼) of the fine strainer and the chamber guide mark (|) are perfectly aligned together.

04 Assembling screw



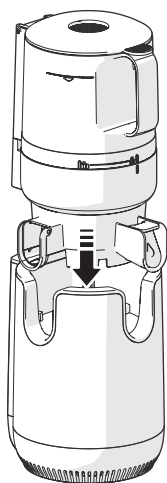
Insert the screw on the assembled chamber.
Push it all the way in until it no longer goes in.

05 Assembling hopper



Align the marks on the chamber and hopper to assemble, and then rotate it clockwise to assemble it completely.

06 Assembling body



Position the appropriately assembled chamber set onto the body.

Note

Lower the hopper cover to close it until a click sound is heard.

If the hopper cover is not properly closed, the product may not work correctly.

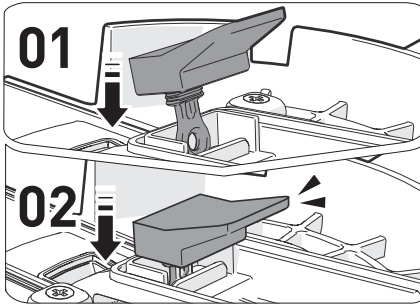
Instead of assembling it on the body, assemble the chamber set separately first and then place the entire set on top of the body.

If it is not assembled exactly as the assembly guide, it may be difficult to assemble it correctly.

12 7. Assembly and Disassembly of Silicone

※ Silicone packings are consumables that are recommended to be replaced once every 6 to 12 months. They are available for purchase through the Customer Service Center.
(The juicer may leak if the product is not assembled properly.)

Extraction Packing



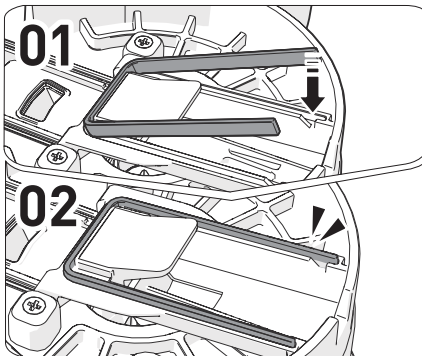
Disassembly

Hold and take out the packing as if you are pulling it back. There is a ring on the packing so it won't be disassembled completely.

Assembly

After cleaning, insert the convex part of the packing as if you are hooking it and then press it down.

Seal Packing



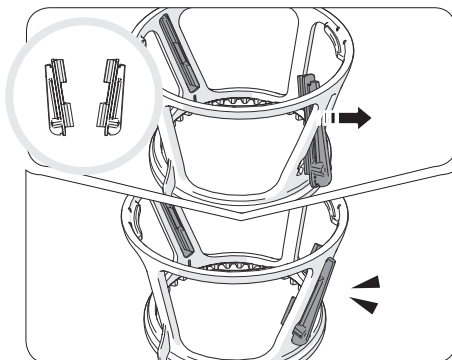
Disassembly

Hold and take out the packing as if you are pulling it back.

Assembly

After cleaning, insert one side of the packing first as if you are hooking it. Insert the remaining part and press down the perimeter.

Spinning brush packing



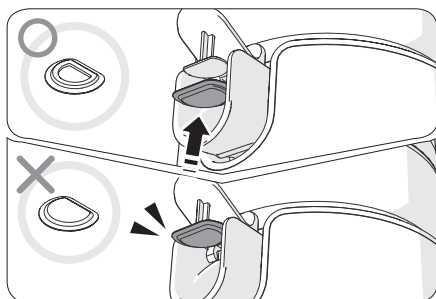
Disassembly

Hold the packing and pull it out as if flipping it inward.

Assembly

After washing, assemble the spinning brush packing by pulling it from the inside to the outside, as demonstrated in the picture. Firmly grip both the top and bottom of the outer wings of the spinning brush packing, and pull them tight.

Juice Cap Packing



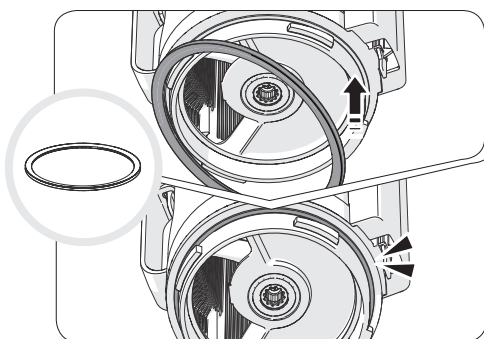
Disassembly

Hold and take out the packing as if you are pulling it back.

Assembly

After cleaning, insert one side of the packing first as if you are hooking it. Insert the remaining part and press down the perimeter.

Hopper Packing



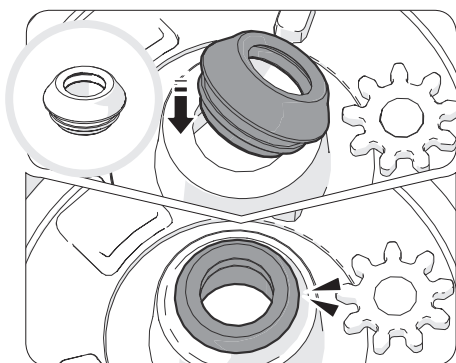
Disassembly

Hold and take out the packing as if you are pulling it back.

Assembly

After cleaning, insert one side of the packing first as if you are hooking it. Insert the remaining part and press down the perimeter.

Chamber Packing

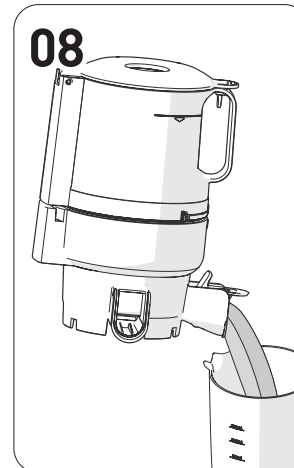
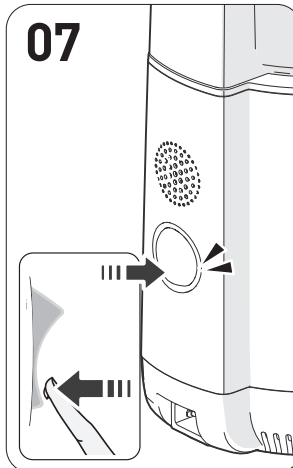
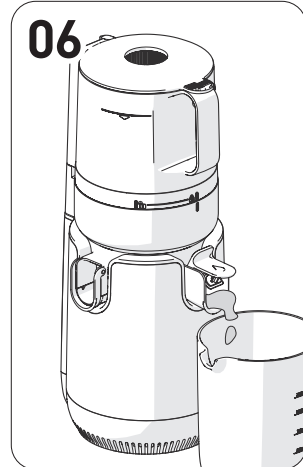
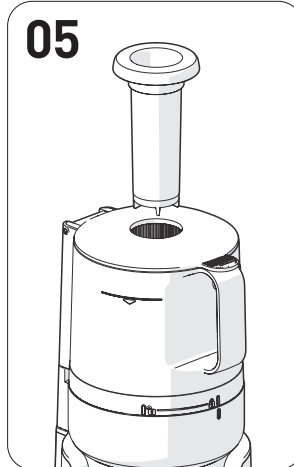
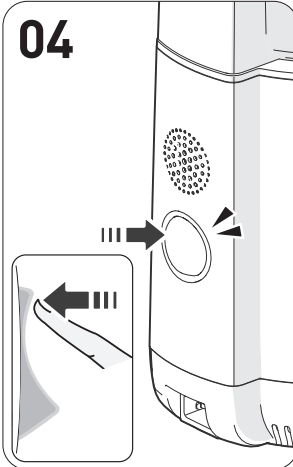
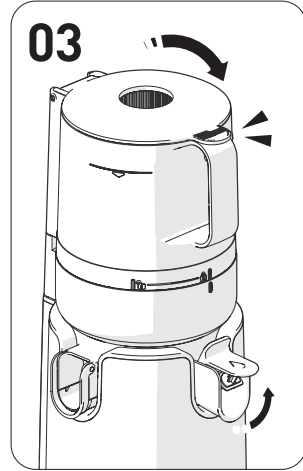
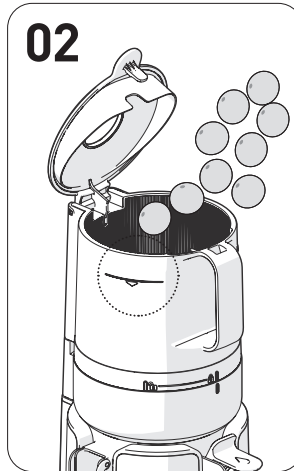
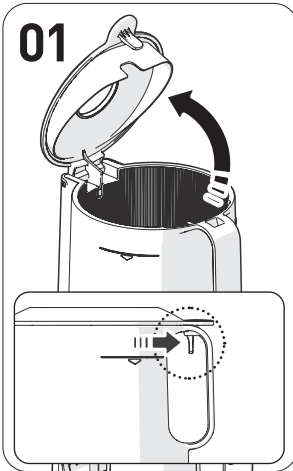


Disassembly

Hold and take out the packing as if you are pulling it back.

Assembly

After cleaning, check the top and bottom of the packing and insert it as if you are hooking one side. Firmly press the remaining part of the packing without any folded area.



01 Open the hopper cover.

- ① Pull the hopper cover lever to open it.
Inserting an excessive amount of ingredients may exert severe pressure on the product.

02 Add ingredients only up to the limit mark of the hopper.

- ① For soft ingredients, mixing them with other ingredients for extraction.

03 Close the hopper cover and keep the juice cap open.

- ① Before pressing the ON button, put the juice container in place.
② The juice may flow backwards into the hopper if the juice cap is closed during extraction. If the juice does not come out even after opening the juice cap, open the hopper cover and empty out the contents.

04 Press the power switch briefly to start operation.

- ① The "click" sound during the operation of the product is the sound of the chamber set and the motor being locked together.

05 To add more ingredients during operation, use the additional inlet or open the hopper cover.

- ① When the hopper cover is opened, the operation stops.
② Do not use anything other than the designated pusher.
③ In case the Multi-screw spins but the ingredients fail to be ground in the hopper during extraction, use the pusher to press the ingredients down.

06 Let the machine operate for about 1 more minute after all ingredients go down in the hopper.

- ① It slowly presses and squeezes the ingredients so it takes some time until the last ingredient is juiced.
② Removing the remaining pulp by additionally operating the machine after extraction makes it more convenient to detach the hopper and clean the parts.
③ It is easy to remove residual pulp when repeatedly operating reverse and normal rotations.

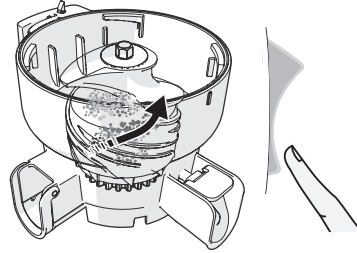
07 Once the juicing and pulp removal are finished, press the power switch to stop the machine.

- ① The machine stops 3 seconds after it is stopped by the power switch.

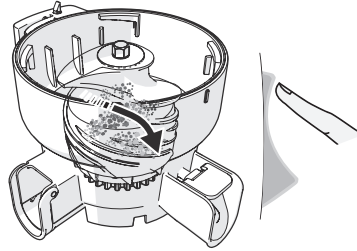
08 Pour any remaining juice by tilting the chamber forward.

- ① For thickly concentrated juice made of tomatoes, etc., the juice may still remain in the chamber.
② When detaching the chamber, pulp may drip from the product body depending on the ingredients being juiced.

01



02

**01 Press and hold [REV] button for 3 to 5 seconds and release the button 2 to 3 times.**

[REV] button pushes the ingredients back up to dislodge. Reverse rotation continues only when the button is pressed while the screw stops when the button is released.

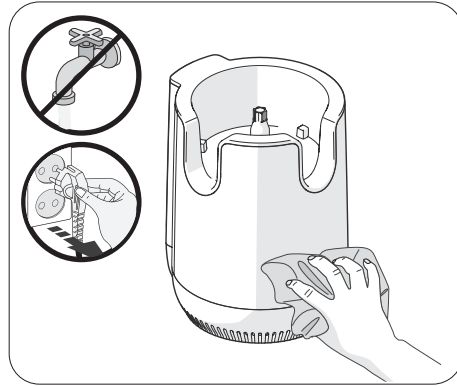
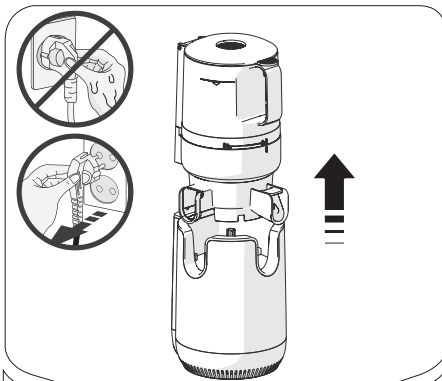
02 After reverse rotation stops completely, press the [ON] button to run operation.

When pressing the [ON/Extract] or [REV/Reverse] button, make sure to press it after the screw stops moving completely.

Note

If the machine does not work even after following the above steps, pull the power cord plug from the outlet, detach the chamber set, wash it and use it again. Due to its characteristics, the motor will not stop at once but, instead, continue to spin slowly in the direction of operation before coming to a complete stop.

16 10. How to Disassemble and Clean



※ After the product stops operating, pull the power cord plug with dry hands. The motor inside the body needs a couple of seconds to stop spinning completely even after the operation stops. Wait for about 3 seconds before detaching the chamber set.

01 Detach the chamber set from the product body. Turn the hopper to open it and then sequentially pull each of the parts to disassemble them.

02 Wash the parts with a cleaning brush under running water.

03 Open the discharge cover and juice cap to clean the chamber.

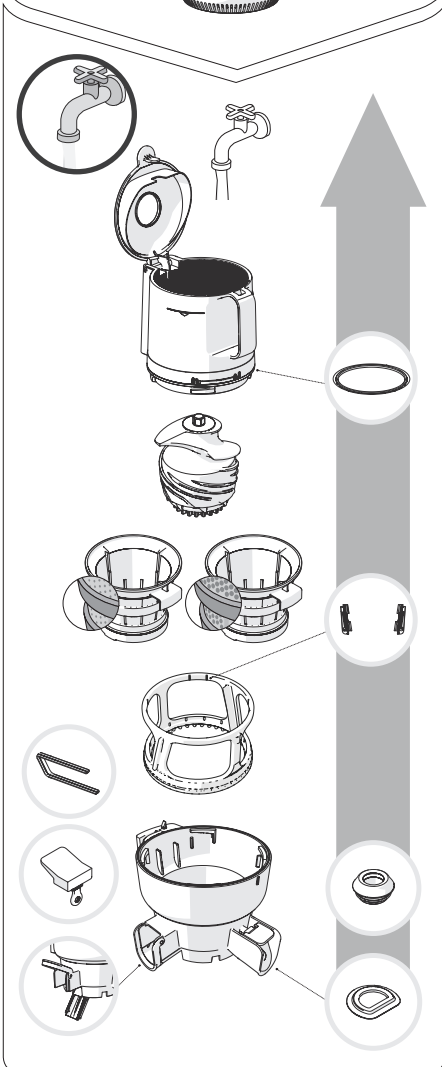
04 Wipe the product body with a damp towel or soft cloth.

05 Detach and wash silicone packings after use.

- Residue may still be stuck.
(hopper packing, juice cap packing, extraction packing, seal packing, chamber packing, Spinning brush packing)

06 You can sterilize the parts by soaking them in warm water diluted with baking soda, citric acid or vinegar.

※ Failure to clean the product immediately after use may cause its stainless steel parts and other parts to corrode or become discolored due to salt and pulp from the ingredients. Also, contaminants may be dried up and stuck inside, which makes it difficult to disassemble and clean them and may also cause performance impairment. Be sure to clean and air-dry it completely immediately after use and store it in a clean place. For long-term storage, use a cleaning brush to wash it. Do not clean with boiling or high-temperature water or use a cleansing sponge, steel sponge, abrasives and other sharp cleaning tools. Do not place it in a dishwasher or dish dryer.



11. Before Requesting Repair

Check the following before asking for repair. For follow-up service and any inquiry you may have while using the product, please contact our Customer Center, or homepage at <http://www.globalhurom.com> Check the manufacturer's number or the number under the barcode when requesting for follow-up service or parts.

17

English

<p>01. When the product starts operating, a "click" sound is heard.</p>	<p>It is the sound of the motor being assembled with the Multi-screw. This is not a malfunction.</p>
<p>02. The product does not start only with the product body.</p>	<p>Check if the chamber set and product body are properly assembled. The product does not operate only with the product body. Make sure to turn the power off before assembling or disassembling the chamber set onto the body.</p>
<p>03. The hopper and the chamber do not be assembled.</p>	<p>Check if the marks on the sides of a chamber and a hopper are aligned and rotated clockwise for assembly.</p>
<p>04. The product does not operate.</p>	<p>Check if the power cord is properly plugged. More than 30 minutes of operation may have the product stop for a while until the product body (motor) cools down enough. Restart operation for some minutes later.</p>
<p>05. It stops during a normal operation.</p>	<p>Check if the hopper is properly assembled. If the hopper is assembled incorrectly, the product will not work. It will operate only when the lock symbol on the chamber and the hopper's assembly guide mark are assembled in a way that they face each other. Check if the product is assembled according to the steps specified in the assembly guide. Refer to the assembly guide page (page 11). Check if an excessive amount of ingredients or extremely thick ingredients are inserted. Refer to Page 15 of the manual to activate a reverse rotation. For safety, a timer is set to stop operation after 5 minutes from the start. Press the switch again to restart operation.</p>
<p>06. There are marks that look like scratch on the side or the top of the multi-screw.</p>	<p>some of curve-shaped or lined mold marks may be created on the surface of screws during the molding process, which is normal and does not affect the operation at all.</p>
<p>07. Juice leaks through the pulp outlet immediately after the ingredients are inserted.</p>	<p>Depending on the inserted ingredients, small amounts of juice may leak through the pulp outlet. This is not a product defect but, rather, a phenomenon caused by the characteristics of the ingredients. The leakage will stop once the product starts running. If the leakage continues, contact the Customer Service Center.</p>
<p>08. Juice flows back into the hopper.</p>	<p>Did you extract juice with the juice cap closed? When juicing with the juice cap closed, the juice may flow backward into the hopper. If the contents are not sufficiently discharged even after opening the juice cap again, open the hopper cover and empty out the contents.</p>
<p>09. Juice leaks between the hopper and the chamber, or between the chamber and the product body.</p>	<p>Is the hopper packing or chamber packing assembled correctly? The juice will leak if the hopper packing or chamber packing has been assembled upside-down or incompletely. Check if the packing is assembled properly.</p>
<p>10. The hopper does not open.</p>	<p>There may be excessive pulp remaining inside. Operate the machine for a while to discharge the pulp inside. Or, repeat pressing the reverse button for 10 seconds and releasing it 2 to 3 times. Then, the hopper will open without any issue. Weren't any foreign substances or solid matters (hard seeds such as persimmon seeds) inserted? If any foreign substances or solid matters are inserted, parts may be damaged more seriously when attempting a reverse rotation so contact the Customer Service Center and request for after-sales service.</p>
<p>11. The chamber shakes (during juicing).</p>	<p>The product may wobble slightly due to the motions of its motor. Depending on the ingredients' characteristics (hard or tough), motions are generated in various magnitudes. This is not a malfunction but, rather, a normal phenomenon observed when the Multi-screw rotates. Compared to soft ingredients with much water content, relatively harder ingredients may seem to produce a greater shaking (e.g., carrots, potatoes, radishes, beet, kohlrabi, etc.)</p>
<p>12. An unusual noise is heard while juicing.</p>	<p>It is natural for certain extent of sound to occur when ingredients are being crushed. If the ingredients are hard or tough like apples, carrots, cabbage, celery, beets, etc., the extraction noise may be louder compared to juicing sounds of softer ingredients.</p>

INHALT

- p.18 1. Vorsichtsmaßnahmen zur sicheren Verwendung
- p.19 2. Vorsichtsmaßnahmen während der Verwendung
- p.20 3. Anleitung Netzschalter /
4. Vorsichtsmaßnahmen vor der Entsaftung
- p.22 5. Bestandteile
- p.24 6. Zusammenbau
- p.26 7. Ein- und Ausbau von Silikon
- p.28 8. Verwendung
- p.29 9. Wenn die Pressschnecke während des Betriebs anhält
- p.30 10. Anleitung zu Ausbau und Reinigung
- p.31 11. Vor Reparaturanfrage

Vor dem Lesen des Bedienungsanleitung

1. Lesen Sie die „Sicherheitshinweise“ (S. 18–19) und beachten Sie diese bei der Verwendung.
2. Bewahren Sie die Bedienungsanleitung nach dem Lesen zum Nachschlagen an einem leicht zugänglichen Ort auf.
3. Verwenden Sie das Gerät nicht im Ausland mit anderen Steckdosenformaten und Voltzahlen.
4. Alle Qualitätsverbesserungen sind als Änderungen vorbehalten.



1. Vorsichtsmaßnahmen zur sicheren Verwendung

- 01 Bitte lesen Sie die <Vorsichtsmaßnahmen zur sicheren Verwendung> durch.
- 02 Befolgen Sie die <Vorsichtsmaßnahmen zur sicheren Verwendung>.
- 03 Es bestehen folgende Vorsichtsmaßnahmen:



Warnung Die Nichtbeachtung der Warnhinweise kann zu schweren Verletzungen oder Tod führen.

- **Das Stromkabel nicht mit nassen Händen anfassen.**
- **Ausschließlich die Netzspannung verwenden, die auf dem Garantieschein und den Produktspezifikationen angegeben ist. Es kann sonst zu einem elektrischen Schock, Brand und/oder Verletzungen kommen.** Der Anschluss an eine andere Netzspannung kann die Lebensdauer des Motors reduzieren oder zu Funktionsstörungen führen.
- **Den Netzstecker vollständig in eine Steckdose einführen.**
- **Das Netzkabel nicht biegen, knicken, beschädigen oder gewaltsam herausziehen bzw. in die Nähe von Hitzequellen wie einen Gasherd legen. Auf dem Produkt dürfen keine schweren Objekte abgelegt werden, es darf nicht auf engem Raum eingeklemmt oder verändert werden.**

- **Keinesfalls Änderungen vornehmen.**

Das Gerät nie selbst zerlegen oder reparieren.

- **Keine Fremdkörper wie Finger oder Nadeln in Ritzen oder Öffnungen des Produktgehäuses einführen.** Dies kann zu Feuer, einem elektrischen Schlag und/oder Funktionsstörungen führen. Für Kundendienst oder Produktwartung das HURUM Kundendienstzentrum kontaktieren.
- **Einen beschädigten Netzstecker nicht selbst reparieren oder verändern, sondern in ein Kundendienstzentrum oder eine Zweigstelle bringen.**
- **Das Produktgehäuse darf nicht nass oder mit Wasser bespritzt werden.** Es ist darauf zu achten, dass weder Wasser noch Fremdkörper in den Netzschalter des Produkts gelangen.
- **Den Schalter nicht mit nassen Händen anfassen.**
- **Aus Sicherheitsgründen muss die Netzsteckdose immer geerdet sein.** Sie darf ebenfalls nicht über eine Gasleitung, Kunststoffwasserleitung oder Telefonlinie geerdet sein. Immer eine geerdete Steckdose verwenden.
- **Versuchen Sie nicht, das Hauptbehälter-Set zu zerlegen oder während des Betriebs Fremdkörper wie Finger oder Löffel in die Einfüllöffnung/ den Saftauslass einzuführen.**
- **Außerhalb der Reichweite von Kindern verwenden. Kinder sollten beaufsichtigt werden, um sicherzugehen, dass sie nicht mit dem Gerät spielen.** Es besteht eine Gefahr von Verletzung oder Funktionsstörungen, wenn Kinder das Gerät versehentlich anstoßen oder auf den Boden fallen lassen.
- **Eine Person, die mit der Handhabung des Produkts nicht vertraut ist, sollte es nicht unbeaufsichtigt verwenden.** Personen mit physischen oder geistigen Behinderungen oder mangelnder Erfahrung und Kenntnis sollten das Gerät nicht unbeaufsichtigt verwenden.
- **Verwenden Sie das Produkt nicht, wenn Sie magnetische Gegenstände tragen oder in der Hand halten (z. B. magnetische Armbänder).** Wenn sich magnetische Gegenstände in der Nähe des Produkts befinden, kann es zu Funktionsstörungen kommen.
- **Die Gebrauchsanweisung für Geräte muss vor möglichen Verletzungen durch unsachgemäßen Gebrauch warnen.**
- **Ziehen Sie den Stecker des Geräts nach jedem Gebrauch ab, falls es unbeaufsichtigt bleibt, oder vor Zusammenbau und Reinigung.**
- **Schalten Sie das Gerät aus und ziehen Sie den Stecker ab, bevor Sie Zubehörteile austauschen oder Teile anfassen, die sich während des Gebrauchs bewegen.**
- **Dieses Gerät ist für die Verwendung in Haushalten und ähnlichen Bereichen wie Mitarbeiterküchen in Geschäften, Büros und sonstige Arbeitsumgebungen vorgesehen.**
 - Bauernhöfe.
 - Kunden in Hotels, Motels und sonstigen Ferienwohnungen.
 - Frühstückspensionen.



Vorsichtshinweis Die Nichtbeachtung der Warnhinweise kann zu schweren Verletzungen oder Tod führen.

- **Das Produkt nicht in Betrieb nehmen, bevor das Produktgehäuse und Hauptbehälter-Set sicher miteinander verbunden sind.**
- **Bei einem Gasleck das Netzkabel nicht berühren, die**

Fenster öffnen und den Raum gründlich durchlüften.

• **Sollte die Pressschnecke während des normalen Betriebs zum Stillstand kommen, halten Sie die Taste „REV“ für 3 bis 5 Sekunden gedrückt, um ein Drehen in umgekehrter Richtung zu veranlassen. Drücken Sie, nachdem das Drehen in umgekehrter Richtung beendet ist, die Taste „ON“, um den normalen Betrieb wieder aufzunehmen.** Sollte die Pressschnecke während des Betriebs zum wiederholten Male zum Stillstand kommen, könnte die Ursache eine Beschädigung von Bauteilen oder eine Überhitzung des Motors sein, welche die Geräteleistung beeinträchtigt. Sollte das Problem weiterhin auftreten, verwenden Sie das Gerät nicht weiter und setzen Sie sich mit Ihrem örtlichen Kundendienstzentrum in Verbindung.

• **Während des Betriebs das Produktgehäuse nicht bewegen oder das Hauptbehälter-Set bzw. Geräterteile zerlegen oder zusammenbauen.** Darauf achten, vorher den Betrieb zu stoppen und das Netzkabel herauszuziehen.

• **Beim Produktgebrauch darauf achten, dass keine Krawatte, Halskette, Schal etc. in die Einfüllöffnung gelangt.**

• **Platzieren Sie das Produkt für den Gebrauch auf einer ebenen und stabilen Oberfläche.**

• **Beim Einfüllen der Zutaten in die Einfüllöffnung keine Essstäbchen, Löffel, harte oder andere Gegenstände außer den Stopfer verwenden.**

• **Das Gerät nicht länger als 30 Minuten am Stück verwenden.** Eine Überhitzung des Motors kann zu Funktionsstörungen führen. Für die erneute Inbetriebnahme das Gerät vor dem Gebrauch 5 Minuten lang ausschalten.

• **Das Gerät keiner übermäßigen Kraft oder Druck aussetzen bzw. nicht fallen lassen.** Das Produkt ist eventuell beschädigt.

• **Ein beschädigtes Produkt darf nicht verwendet werden.** Ein beschädigtes Produkt ist möglicherweise nicht mehr sicher und kann Funktionsstörungen verursachen.

• **Wenn das Gerät ungewöhnliche Geräusche erzeugt, heiß wird oder Rauch erzeugt, schalten Sie es bitte sofort aus und kontaktieren Sie das Kundendienstzentrum.** Der Geruch beim Erstgebrauch des Produkts verschwindet im Laufe der Zeit.

• **Das Netzkabel aus der Steckdose ziehen, wenn das Gerät nicht verwendet wird.** Darauf achten, das Kabel mit dem Stecker aus der Steckdose zu ziehen.

• **Das Produkt nicht bei Temperaturen von 80°C oder höher reinigen.** Das Gerät nicht in eine Geschirrspülmaschine, Mikrowelle etc. geben, dies kann Funktionsstörungen und/oder eine Verformung der Geräterteile verursachen.

• **Das Produktgewicht beträgt ca. 5,5 kg. Beim Bewegen des Produkts darauf achten, das Produktgehäuse mit beiden Händen festzuhalten.** Wenn nur der Hauptbehälter oder Seiten des Produktgehäuses gehalten werden, kann das Gehäuse zu Boden fallen und Körperverletzung oder Funktionsstörungen verursachen.

• **Dieses Haushaltsprodukt darf nicht für kommerzielle Zwecke verwendet werden.** Durch die übermäßige Entsaftung großer Mengen von Zutaten können die Geräterteile beschädigt werden.

Falls das Gerät für kommerzielle Zwecke verwendet wird, kontaktieren Sie bitte das Kundendienstzentrum für Informationen über die Verwendungsmethode.



2. Vorsichtsmaßnahmen während der Verwendung

• **Stellen Sie sicher, dass Sie genau verstehen, wie die Zutaten vorzubereiten sind, und bereiten Sie sie vor dem Einfüllen richtig vor.**

• **Zutaten, die besondere Sorgfalt erfordern**

- Bei der alleinigen Verwendung weicher Zutaten wie Bananen, reife Kiwi und Tomaten kann der Saft im Hauptbehälter stagnieren, sodass die Entsaftung erschwert wird. Bitte fügen Sie andere, weniger weiche Zutaten hinzu.

- Walnüsse, Erdnüsse, Mandeln, Sonnenblumenkerne, Pinienkerne, Bohnen etc. nur in kleinen Mengen einfüllen, in Wasser einweichen und gemeinsam mit anderen Zutaten hinzufügen.

• **Für die Entsaftung ungeeignete Zutaten**

- Keine Zutaten einfüllen, die für eine Entsaftung ungeeignet sind, wie Sesamkörner, Kaffeebohnen, getrocknete Chilischoten, Baumrinde und Kiefernadeln. Keine/n Fisch, Aal, Krabben, Schnecken, Tintenfische etc. einfüllen

- Keine in Alkohol, Honig oder Zucker eingelegte Früchte (Trauben, Himbeeren, Brombeeren etc.) und enzymhaltige Produkte (Salzbohnen, Föhrenenzym etc.)

- Keine Zutaten einführen, die von Natur aus schwer zu entsaften sind, wie z. B. Ölfrüchte, Aloe vera, Kaktus, Quitte, Yams, Kudzu-Wurzel, Zuckerrohr, Ahorn und Löwenzahn.

- Keine Eiswürfel einführen.

• **Es wird empfohlen, Gemüsesaft sofort zu konsumieren und nicht über längere Dauer im Kühlschrank aufzubewahren.**

• **Dieses Gerät nicht für das Mahlen von Körnern verwenden.**

• **Trester darf nicht erneut entsaftet werden.**

• **Das Produkt nicht im Leerlauf vor dem Einführen von Zutaten verwenden.**

• **Keine Zutaten in den Trichter oberhalb der Grenzmarke einfüllen.**

• **Das Gerät nicht länger als 30 Minuten am Stück verwenden.**

- Eine Überhitzung des Motors kann Funktionsstörungen verursachen. Bei einer längeren Verwendung den Betrieb stoppen und nach einer Pause von 5 Minuten erneut starten.

• **Während des Betriebs keine Essstäbchen oder Löffel in die Einfüllöffnung / den Tresterauslass einführen.**

• **Für das Einfüllen von Zutaten nur den Stopfer verwenden.** Ansonsten besteht die Gefahr von Körperverletzung und/oder Funktionsstörungen.

• **Den Schalter nicht mit nassen Händen anfassen.**

- Dies kann zu einem elektrischen Schlag, Kurzschluss und/oder Feuer führen. Fremdkörper vom Netzschalter fernhalten.

• **Bei der Verwendung den Saftdeckel offen lassen.**

- Der Saft kann in den Trichter zurückfließen, wenn der Saftdeckel während der Entsaftung geschlossen ist.

• **Nicht verwenden, wenn sich eine große Menge Wasser oder Gemüsesaft im oberen Teil des Gehäuses befindet.**

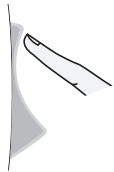
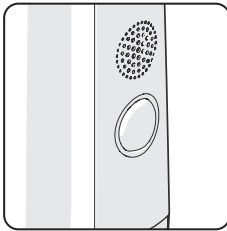
• **Wenn es schwierig ist, den Hauptbehälter nach dem Entsaften vom Produktgehäuse zu trennen, aktivieren Sie zuerst den Rückwärtslauf, um die Trennung zu erleichtern.**

Anmerkung

1. Vertrocknete Zutaten, die lange Zeit im Kühlschrank aufbewahrt wurden, oder gefrorene Früchte ergeben nur wenig oder gar keinen Saft.
2. Wenn das Produkt nicht sofort nach der Verwendung gereinigt wird, kann der Trester eintrocknen, sodass der Ausbau und die Reinigung der Bauteile erschwert werden und eventuell die Geräteleistung beeinträchtigt wird. Daher sollte das Gerät immer sofort nach der Verwendung gereinigt werden.

3. Anleitung Netzschalter

Vor Inbetriebnahme des Produkts den Netzschalter drücken.



[ON] : ON – Startet den Motor, sodass Saft hergestellt wird.



[○] : Stop – Hält den Betrieb des Gerätes an.



[REV] : REV – Drücken Sie diese Taste, wenn die Pressschnecke während des Betriebs wegen Überfüllung zum Stillstand kommt.
 ※ Das Gerät ist nur solange in Betrieb, wie die Taste gedrückt bleibt. Beim Loslassen der Taste wird der Betrieb unterbrochen.

※ Bei Allergien bitte darauf achten, bei der Vorbereitung die geeigneten Zutaten auszuwählen.

※ Für die Methode und Anmerkungen zur Verwendung des Geräts für die einzelnen Zutaten siehe Anleitung zur Zubereitung.

※ Die Zutaten in der richtigen Größe vorbereiten, um in den Trichter zu passen. Für die Entsaftung großer Mengen oder auf hoher Stufe die Zutaten vor dem Einfüllen in besonders kleine Stücke schneiden. Für etwa 1 kg den Anwendungsschritt "Ausbau und Reinigung nach Entsaftung" wiederholen.

-Durch das Entsaften großer Mengen von Zutaten ohne regelmäßiges Reinigen kann das Produkt überlastet werden.

※ Keine Zutaten in den Trichter oberhalb der Grenzmarke einfüllen.

※ Wenn gekochte oder weiche Zutaten allein verwendet werden, kann sich der Saft im Behälter stauen und das Entsaften erschwert werden. Nur kleine Mengen einfüllen oder mit anderen Zutaten verwenden.

※ Bei der Entsaftung von faserhaltigen Obst- und Gemüsesorten kann der Saft verdicken.

※ Wenn die folgenden schwer zu entsaftenden Zutaten eingefüllt werden, können Beschädigung oder Funktionsstörungen des Produkts auftreten.

- Zutaten, die für eine Entsaftung ungeeignet sind, wie z. B. Sesamsamen, Kaffeebohnen, Chilischoten, Baumrinde und Tannennadeln sowie Fisch, Aal, Garnelen, Schnecken, Tintenfisch etc.
- In Alkohol, Honig oder Zucker eingelegte Früchte (Trauben, Himbeeren, Brombeeren etc.) und enzymhaltige Produkte (Salzbohnen, Föhrenenzym etc.)
- Zutaten, die von Natur aus schwierig zu entsaften sind wie (Ölfrüchte, Aloe vera, Kaktus, Quitte, Yams, Kudzu-Wurzel, Zuckerrohr, Ahorn und Löwenzahn)
- Eiswürfel

※ Nicht verwenden, um Körner zu mahlen.

※ Siehe Anleitungen in <Vorsichtsmaßnahmen beim Gebrauch> (siehe S. 19).

4-1. Vorbereitung der Zutaten

- Da bestimmte Zutaten speziell vorbereitet werden müssen, lesen Sie bitte die nachstehenden Anleitungen zur Vorbereitung.
- Für die Entsaftung großer Mengen oder mehrmals hintereinander die Zutaten vor dem Einfüllen in kleine Stücke schneiden. Dann den Anwendungsschritt "Ausbau und Reinigung nach Entsaftung" wiederholen.
- Für schnelleres Entsaften die Zutaten in besonders kleine Stücke schneiden.

Zitrusfrüchte

Grapefruit, Orangen, Zitronen etc.

Die Zutaten vorbereiten, schälen und in kleine Stücke schneiden, um in die Trichteröffnung zu passen. Alle harten Kerne vor dem Einfüllen entfernen

Früchte mit dicker Schale

Ananas, Drachenfrucht, Melone, Wassermelone, Granatapfel

Die Zutaten vorbereiten, schälen und in kleine Stücke schneiden, die in die Trichteröffnung passen. Alle harten Kerne vor dem Einfüllen entfernen.

Kernhaltige Früchte

Trauben, Apfel, Pfirsich, Dattelpflaume, Pflaume, Kirsche, Birne, koreanische Melone etc.

Bei Zutaten mit harten oder großen Kernen, wie z. B. Pfirsichen, den Kern zuerst entfernen und dann das Fruchtfleisch schneiden und vorbereiten. Harte Kerne können den Betrieb stoppen oder Geräteteile beschädigen. Apfelkerne enthalten Giftstoffe und sollten daher soweit möglich entfernt werden. Bei Trauben jede Traube einzeln vom Strang entfernen und waschen. Nicht nur besonders weiche Zutaten entsaften, sondern mit anderen Obst- und Gemüsesorten vermischen.

Weiches Obst

Einfache Entsaftung (Beeren, Kirschtomaten, Ananas etc.)

※ Die Zutaten sorgfältig säubern und in kleine Stücke schneiden, die in die Trichteröffnung passen. Bei Obst- und Gemüsesorten mit Stängeln diese zuerst entfernen.

Gemischte Extraktion (Erdbeeren, Kiwi, Banane, Tomate, Mango etc.)

※ **Trockene und dickflüssige Zutaten mit anderen Zutaten zur Entsaftung vermischen.**

Schale und Stiele sowie eventuell vorhandene Kerne entfernen.

Wurzelgemüse

Karotten, Rüben, Ingwer, Süßkartoffeln, Kartoffeln, Knoblauch etc.

Die Zutaten unter laufendem Wasser waschen, um Schmutz und Fremdstoffe zu entfernen. Faserhaltige Zutaten wie Ingwer zuerst schälen und dann in kleine Stücke schneiden. Lange Zutaten zur Entsaftung vertikal schneiden.

Blatt- und Stängelgemüse

Sellerie, Kale, Kraut, Wasserkresse, Weizengras, Schnittlauch etc.

Für die Entsaftung die Zutaten in höchstens 3 cm große Stücke schneiden. Da Blatt- und Stängelgemüse faserhaltig sind, sind sie schwer zu entsaften und können sich in der Universal-Press-Schnecke verfangen.

• Beim Entsaften anderer Zutaten als Wurzelgemüse, Blatt- und Stängelgemüse kann der Saft stagnieren.

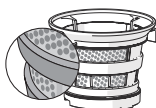
Verwendung jedes Siebs

Feinsieb



Für die Entsaftung von Gemüse und Obst

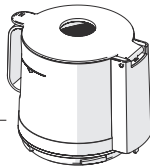
Grobes Sieb (Separat verkauft)



Ein Smoothie-Sieb hat breite Öffnungen und wird hauptsächlich verwendet, um Dicksaft aus festem Fruchtfleisch zu erhalten. Ideal für Bananen, Erdbeeren und andere Zutaten mit weichem Fruchtfleisch sowie Zutaten für Dicksaft. Praktisch für die Zubereitung von Smoothies, Milchdrinks oder Suppe.

Trichterteil

Trichter



Hauptbehälterteil

Pressschraube



Feinsieb

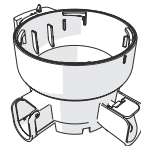


Grobes Sieb
(Separat verkauft)

Bürstenhalter



Hauptbehälter

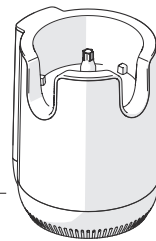


Gehäuseteil

Stromkabel



Produktgehäuse



Zubehörteil

Tresterbecher



Reinigungsbürste



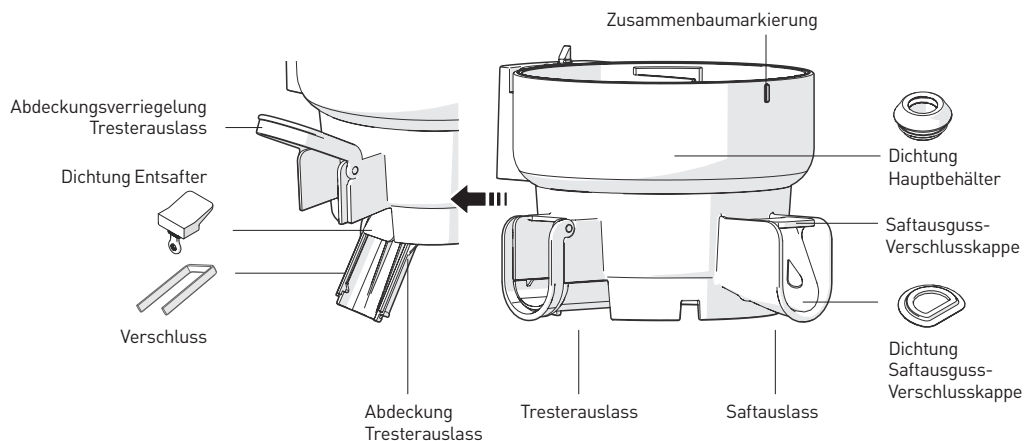
Saftbeche



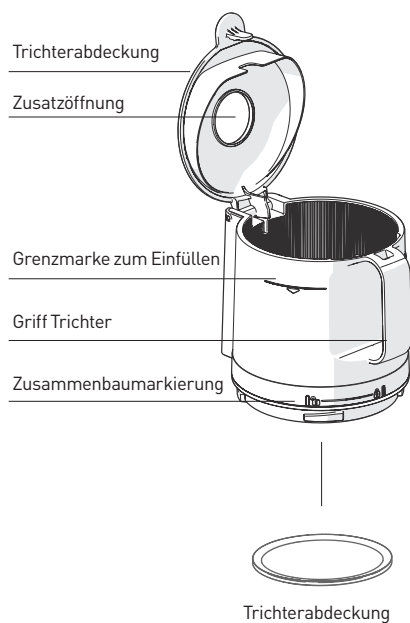
Stopfer



Details zum Hauptbehälter

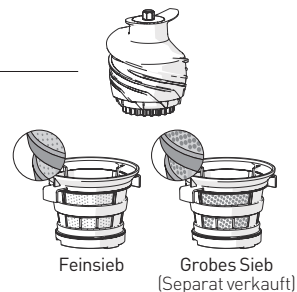


Details zum Trichter



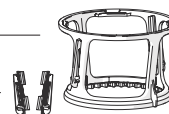
Pressschraube/ Detail Sieb

Pressschraube



Bürstenhalter

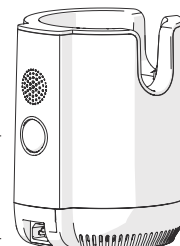
Dichtung Kehrwalze



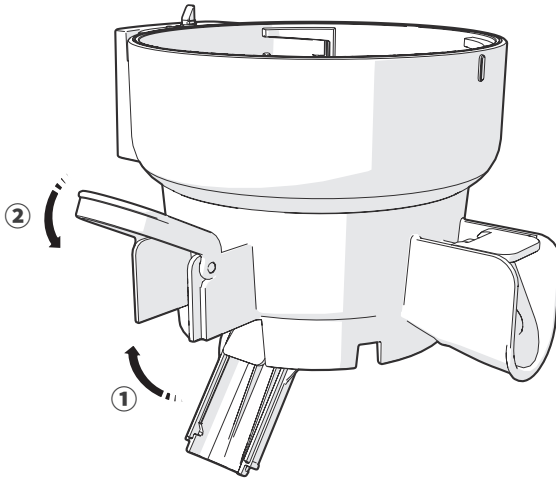
Details zum Gehäuse

Netzschalter

Teil des Netzkabels



01 Abdeckung Tresterauslass Zusammenbau

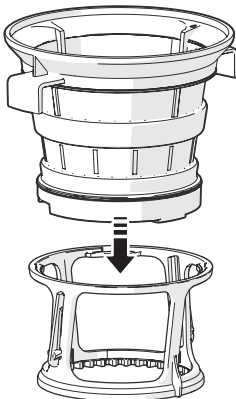


Die Abdeckung des Tresterauslasses nach oben heben, um sie zu schließen, und die Verriegelung einhaken.

Wenn die Dichtung nicht richtig eingesetzt oder die Verriegelung nicht richtig geschlossen ist, kann sich der Deckel des Tresterauslasses öffnen oder Saft während der Entsaftung austreten.

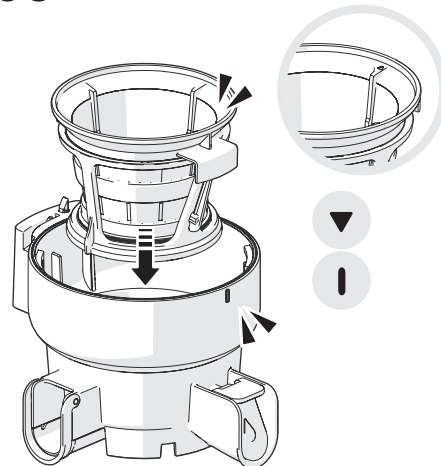
※ Prüfen Sie, ob die Entsaftungsdichtung und der Dichtungsring angebracht sind.

02 Zusammenbau Feinsieb + Kehrwalze



Feinsieb und Rotationsbürste zusammensetzen (siehe Abbildung). Ganz nach unten drücken.

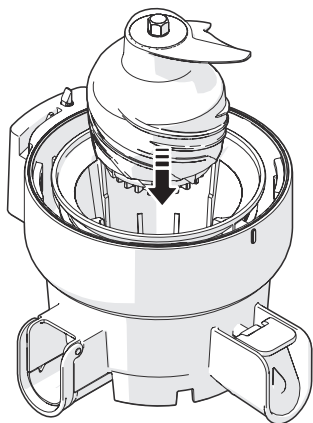
03 Zusammenbau Hauptbehälter



Feinsieb + Rotationsbürsten-Set zusammengesetzt am Behälter anbringen und an der Kerbe ausrichten (siehe Abbildung)

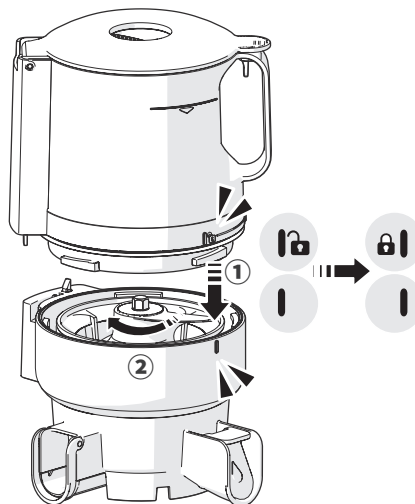
Bauen Sie das Sieb so ein, dass die Pfeilmarkierung (▼) des Feinsiebs und die Zusammenbaumarkierung Hauptbehälter (■) perfekt miteinander ausgerichtet sind.

04 Zusammenbau Press-Schnecke



Włożyć ślimak w zmontowaną komorę.
Wcisnąć go do końca, aż przestanie wystawać.

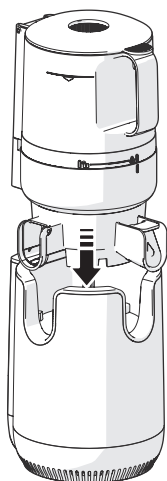
05 Zusammenbau Trichter



Für den Zusammenbau die Markierungen am Hauptbehälter und Trichter ausrichten und dann im Uhrzeigersinn drehen, um sie komplett zusammenzubauen.

Deutsch

06 Zusammenbau Gehäuse



Setzen Sie das richtig zusammengebaute Hauptbehälter-Set auf das Gehäuse.

Anmerkung

Die Abdeckung des Trichters absenken, bis ein Klickgeräusch zu hören ist.

Wenn die Abdeckung des Trichters nicht richtig geschlossen ist, funktioniert das Gerät möglicherweise nicht korrekt.

Bauen Sie das Hauptbehälter-Set nicht direkt am Gehäuse, sondern zuerst separat zusammen, und setzen Sie dann das gesamte Set auf das Gehäuse.

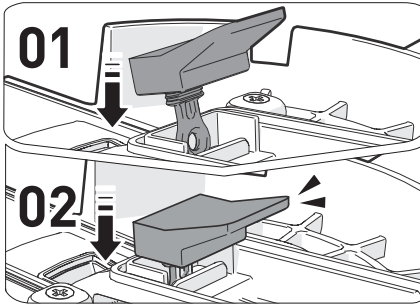
Für einen problemlosen Zusammenbau des Geräts muss die Montageanleitung genau befolgt werden.

26 7. Ein- und Ausbau von Silikon

※ Dichtungsringe aus Silikon sind Verbrauchsprodukte, die alle 6 bis 12 Monate ersetzt werden sollten. Sie sind beim Kundendienstzentrum erhältlich.

(Der Entsafter kann undicht sein, wenn das Produkt nicht richtig zusammengebaut ist)

Dichtung Entsafter



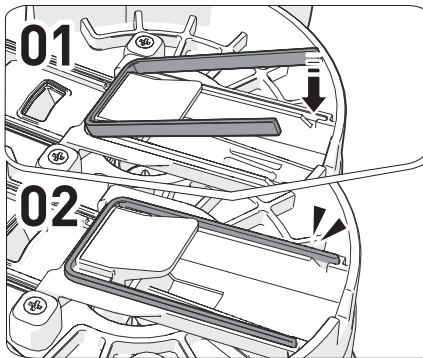
Demontage

Die Dichtung anfassen und nach hinten herausziehen. Die Dichtung ist mit einem Ring versehen, sodass sie nicht vollständig demontiert werden kann.

Zusammenbau

Nach der Reinigung den konvexen Teil der Dichtung durch Einhaken einlegen und dann nach unten drücken.

Dichtung Verschluss



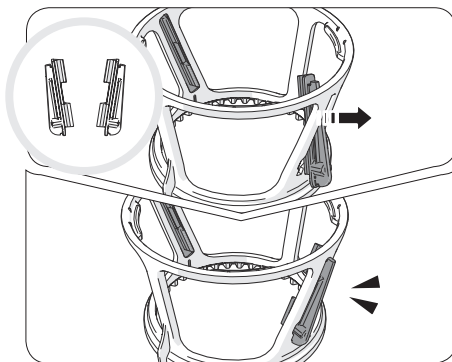
Demontage

Die Dichtung anfassen und nach hinten herausziehen.

Zusammenbau

Nach der Reinigung zuerst eine Seite der Dichtung mit einer Einhakenbewegung einlegen. Den restlichen Teil einlegen und die Umlaufränder nach unten drücken.

Dichtung Rotationsbürste



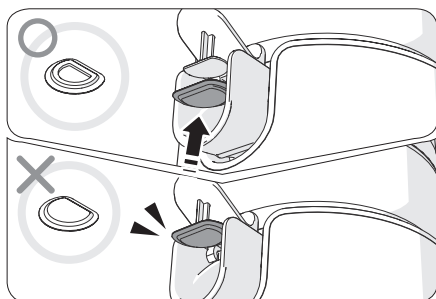
Demontage

Die Verpackung festhalten und nach innen herausziehen.

Zusammenbau

Legen Sie nach der Reinigung die Dichtung der Kehrwalze ein, indem Sie sie von innen nach außen ziehen, wie in der Abbildung gezeigt. Fassen Sie die äußeren Laschen der Dichtung der Kehrwalze sowohl oben als auch unten fest an und ziehen Sie sie fest.

Dichtung Saftausguss-Verschlusskappe



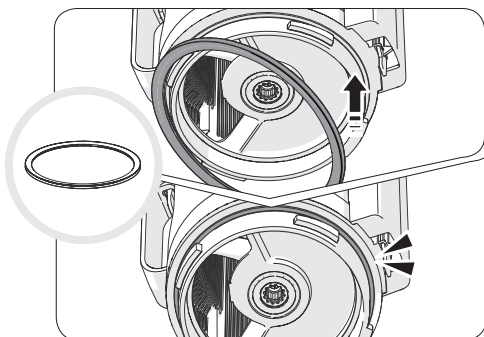
Demontage

Die Dichtung anfassen und nach hinten herausziehen.

Zusammenbau

Nach der Reinigung zuerst eine Seite der Dichtung mit einer Einhabbewegung einlegen.
Den restlichen Teil einlegen und die Umlaufränder nach unten drücken.

Dichtung Trichter



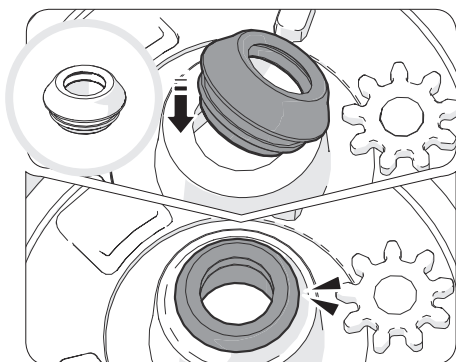
Demontage

Die Dichtung anfassen und nach hinten herausziehen.

Zusammenbau

Nach der Reinigung zuerst eine Seite der Dichtung mit einer Einhabbewegung einlegen.
Den restlichen Teil einlegen und die Umlaufränder nach unten drücken.

Dichtung Hauptbehälter

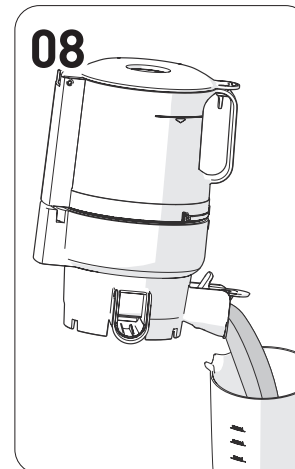
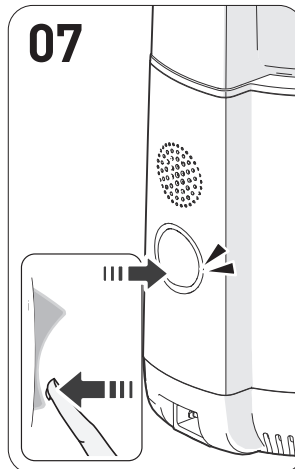
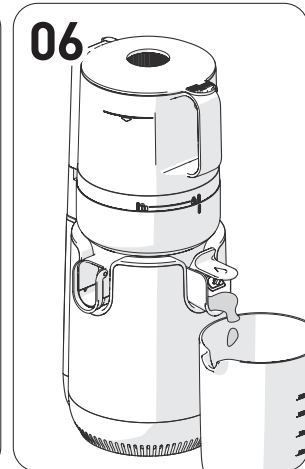
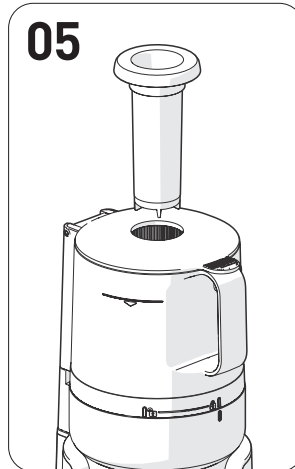
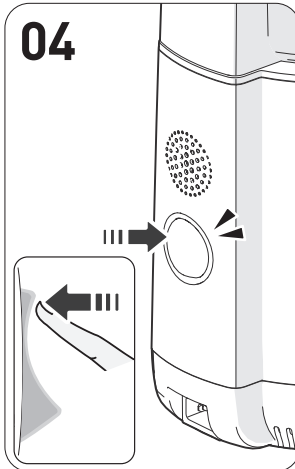
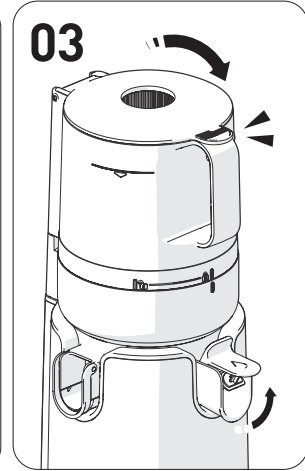
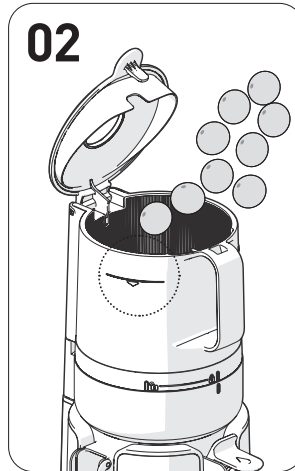
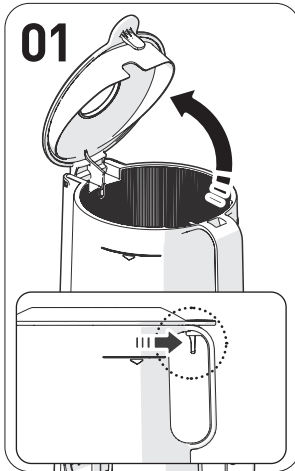


Demontage

Die Dichtung anfassen und nach hinten herausziehen.

Zusammenbau

Nach der Reinigung die Ober- und Unterseite der Dichtung prüfen und sie durch eine einseitige Einhabbewegung einsetzen.
Den restlichen Teil der Dichtung ohne Knicke fest eindrücken.



01 Den Trichterdeckel öffnen.

① Den Hebel des Trichterdeckels ziehen, um ihn zu öffnen.

Durch Einfüllen einer übermäßigen Menge von Zutaten kann ein zu starker Druck auf das Produkt ausgeübt werden.

02 Zutaten nur bis zur Grenzmarke des Trichters einfüllen.

① Weiche Zutaten mit anderen Zutaten zur Entsaftung vermischen.

03 Den Trichterdeckel schließen und die Saftausguss-Verschlusskappe offen lassen.

① Platzieren Sie vor dem Betätigen der „ON“-Taste den Saftbehälter.

② Der Saft kann in den Trichter zurückfließen, wenn die Saftausguss-Verschlusskappe während der Entsaftung geschlossen ist. Wenn der Saft nach Öffnen der Saftausguss-Verschlusskappe nicht herausfließt, den Trichterdeckel öffnen und Inhalt ausleeren.

04 Den Netzschalter kurz drücken, um den Betrieb zu starten.

① Das Klickgeräusch während des Produktbetriebs entsteht durch das Einrasten des Hauptbehälter-Sets mit dem Motor.

05 Um während des Betriebs weitere Zutaten hinzuzufügen, die Zusatzöffnung verwenden oder den Trichterdeckel öffnen.

① Wenn der Trichterdeckel geöffnet wird, stoppt der Betrieb.

② Zum Einfüllen der Zutaten nur den Stopfer verwenden.

③ Falls sich die Universal-Press-Schnecke dreht, die Zutaten aber im Trichter während der Entsaftung nicht zerkleinert werden, die Zutaten mit dem Stopfer nach unten drücken.

06 Das Gerät etwa 1 Minute lang laufen lassen, nachdem alle Zutaten durch den Trichter eingefüllt wurden.

① Die Zutaten werden langsam ausgepresst, daher braucht es einige Zeit, bis die letzte Zutat entsaftet ist.

② Der übrige Trester wird durch den weiteren Betrieb des Geräts nach der Entsaftung entfernt, um den Trichter leichter abzunehmen und die Teile zu reinigen.

③ Durch wiederholten Gerätebetrieb im Rückwärtslauf und normale Umdrehungen lassen sich Tresterreste leicht entfernen.

07 Nach der Entsaftung und Tresterentfernung den Netzschalter drücken, um das Gerät zu stoppen.

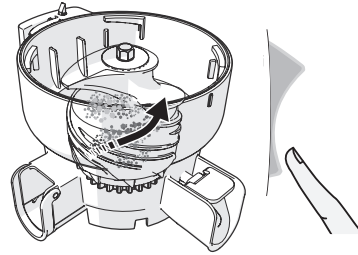
① Das Gerät stoppt 3 Sekunden nach Betriebsstopp durch den Netzschalter.

08 Übrigen Trester durch Kippen des Hauptbehälters nach vorne entfernen.

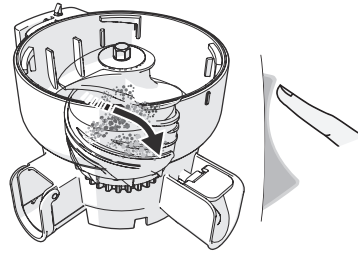
① Bei dickflüssigem Saft aus Tomaten etc. kann Saft im Hauptbehälter verbleiben.

② Wenn Sie den Hauptbehälter abnehmen, kann je nach den zu entsaftenden Zutaten Trester aus dem Produktgehäuse tropfen.

01



02



01 Halten Sie die Taste [REV] zwei bis dreimal für 3 bis 5 Sekunden gedrückt.

Durch Betätigen der Taste [REV] werden die Zutaten wieder hochgedrückt, sodass sie sich herausnehmen lassen. Das Drehen in umgekehrter Richtung hält nur so lange an, wie die Taste gedrückt bleibt. Beim Loslassen der Taste kommt die Pressschnecke zum Stillstand.

02 Drücken Sie, nachdem das Drehen in umgekehrter Richtung vollständig zum Stillstand gekommen ist, den Schalter [ON], um das Gerät wieder normal in Betrieb zu nehmen.

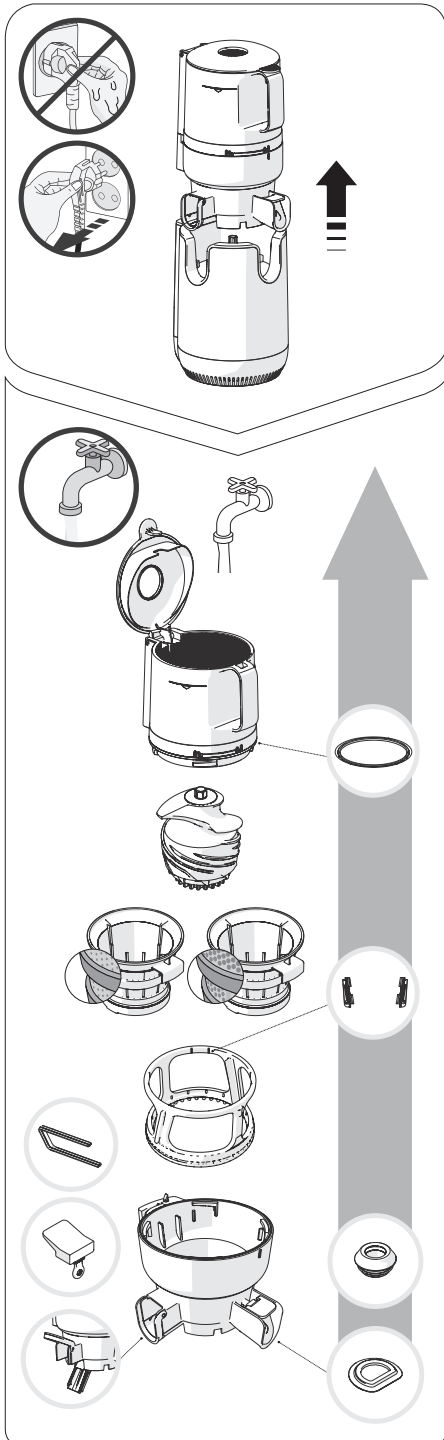
Betätigen Sie die Schalter [ON/Extract] und [REV/Reverse] jeweils nur dann, wenn die Pressschnecke völlig stillsteht.

Anmerkung

Wenn die Universal-Press-Schnecke selbst nach der o.g. Prozedur nicht funktioniert, den Stecker aus der Dose ziehen, das Hauptbehälter-Set abnehmen, reinigen und erneut verwenden.

Aufgrund seiner Merkmale stoppt der Motor nicht sofort, sondern dreht sich langsam in der Richtung des Betriebsvorgangs, bevor er komplett zum Stillstand kommt.

30 10. Anleitung zu Ausbau und Reinigung



※ Nach komplettem Stopp des Betriebsvorgangs das Netzkabel mit trockenen Händen aus der Steckdose ziehen. Nachdem das Produkt gestoppt wurde, kommt der Motor langsam zum Stillstand. Daher vor dem Abnehmen des Hauptbehälter-Sets 3 Sekunden lang warten.

01 Den Hauptbehälter vom Produktgehäuse abtrennen. Den Trichter drehen, um ihn zu öffnen, und nacheinander die einzelnen Teile durch Ziehen abnehmen.

02 Die Teile mit einer Reinigungsbürste unter fließendem Wasser säubern.

03 Den Entleerdeckel und die Saftausguss-Verschlusskappe öffnen, um den Hauptbehälter zu reinigen.

04 Das Produktgehäuse mit einem feuchten Handtuch oder einem weichen Lappen abwischen.

05 Die Silikondichtungen nach der Verwendung abnehmen und säubern.
- Es können noch Fruchtreste festsitzen.
(Dichtungen von Trichter, Saftausguss-Verschlusskappe, Entsaftung, Verschluss, Hauptbehälter, Dichtung Rotationsbürste)

06 Die Teile können durch Einlegen in warmes Wasser mit Backpulver, Zitronensäure oder Essig sterilisiert werden.

※ Wenn das Produkt unmittelbar nach der Verwendung nicht gereinigt wird, können die Edelstahlteile und andere Bereiche rosten oder sich durch die Einwirkung von Salz und Trester entfärben.

Auch Giftstoffe können sich im Inneren festsetzen und eintrocknen, sodass Reinigung und Ausbau der Teile erschwert werden sowie die Leistung beeinträchtigt wird. Darauf achten, das Gerät nach dem Gebrauch zu säubern, vollständig an der Luft zu trocknen und an einem sauberen Ort aufzubewahren. Vor einer längeren Aufbewahrung muss das Gerät mit einer Reinigungsbürste gesäubert werden. Nicht mit kochendem oder heißem Wasser reinigen oder Reinigungsschwämme, Stahlschwämme, Scheuermittel oder scharfe Reinigungswerkzeuge verwenden. Nicht in die Geschirrspülmaschine geben.

11. Vor Reparatur-Anfragen

Prüfen Sie folgende Punkte, bevor Sie eine Reparatur anfragen. Wenden Sie sich für Kundendienstleistungen und jegliche Nachfragen zur Verwendung des Geräts an unser Kundenzentrum oder konsultieren Sie unsere Homepage unter <http://www.globalhurrom.com>. Prüfen Sie die Hersteller Nummer oder die Nummer unter dem Barcode, wenn Sie Serviceleistungen oder Teile anfragen.

31

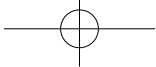
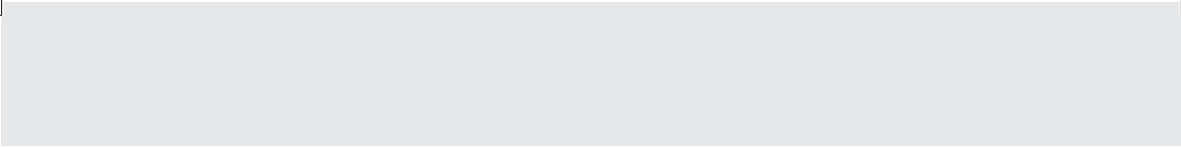
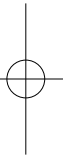
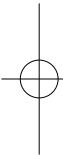
Deutsch

01. Bei Betriebsaufnahme ist ein Klickgeräusch hörbar.	Das ist das Geräusch des Motors, der mit der Universal-Press-Schnecke verbunden wird. Es handelt sich nicht um eine Funktionsstörung.
02. Das Gerät funktioniert nicht nur mit dem Produktgehäuse.	Es ist zu überprüfen, ob das Hauptbehälter-Set und das Produktgehäuse richtig zusammengebaut sind. Darauf achten, bei Zusammenbau und Zerlegung die Stromversorgung auszuschalten.
03. Beim Zusammenbau darauf achten, dass es mit dem Sicherheitssensor ausgerichtet ist.	Prüfen, ob es in Übereinstimmung mit der Markierung zusammengebaut wurde.
04. Das Gerät funktioniert nicht.	Prüfen, ob das Netzkabel richtig eingesteckt ist. Das Gerät kann nach langem Betrieb (30 Minuten oder länger) nicht funktionieren. Es funktioniert wieder normal, sobald das überhitzte Produktgehäuse abgekühlt ist.
05. Das Gerät hält bei normaler Funktion plötzlich an.	Prüfen, ob der Fülltrichter richtig eingelegt wurde. Wenn der Trichter nicht richtig eingelegt ist, funktioniert das Produkt nicht. Es funktioniert nur, wenn beim Zusammenbau das Schlosssymbol am Behälter und die Zusammenbaumarkierung des Trichters einander gegenüber stehen. Prüfen, ob das Gerät gemäß den Anweisungen in der Bedienungsanleitung ordnungsgemäß zusammengebaut wurde. Siehe Bauanleitung (Seite 25). Wurden übermäßige Zutatenmengen oder besonders dickschalige Zutaten eingefüllt? Siehe Seite 29 der Bedienungsanleitung, um den Rückwärtslauf zu aktivieren. Aus Sicherheitsgründen wird ein Timer eingestellt, der 5 Minuten nach Beginn des Betriebs automatisch stoppt. Den Netzschalter kurz drücken, um den Betrieb zu starten.
06. Es sind Bruchstellen durch Schrauben oder Kratzer an der Oberseite der Universal-Press-Schnecke sichtbar.	Beim Formen werden zusätzlich zu den geradlinigen Pressrillen kurvenförmige Markierungen auf den Seiten und der Oberseite der Universal-Press-Schnecke angebracht. Sie sind Teil des Geräts und beeinträchtigen keinesfalls den Betrieb.
07. Unmittelbar nach Einfüllen der Zutaten tritt Saft durch den Tresterauslass.	Je nach eingefüllten Zutaten können kleine Saftmengen durch den Tresterauslass austreten. Das ist kein Produktdefekt, sondern ein Phänomen, das durch die Eigenschaften der Zutaten verursacht wird. Der Saftaustritt stoppt, sobald das Produkt im Betrieb läuft. Bei anhaltendem Saftaustritt kontaktieren Sie bitte das Kundendienstzentrum.
08. Saft fließt in den Trichter zurück.	Haben Sie die Entsaftung mit geschlossener Saftauslass-Verschlusskappe durchgeführt? Beim Entsaften mit geschlossener Saftauslass-Verschlusskappe kann Saft zurück in den Trichter fließen. Wenn der Saft nach Öffnen der Saftausguss-Verschlusskappe nicht herausfließt, den Trichterdeckel öffnen und den Inhalt ausleeren.
09. Saft tritt zwischen Trichter und Hauptbehälter oder zwischen Hauptbehälter und Produktgehäuse aus.	Ist die Trichterdichtung oder Behälterdichtung richtig eingelegt? Saft tritt aus, wenn die Trichter- oder Behälterdichtung verkehrt oder unvollständig eingelegt wurde. Prüfen, ob die Dichtung richtig eingelegt wurde.
10. Der Fülltrichter öffnet sich nicht.	Es könnten übermäßige Tresterreste im Inneren zurückgeblieben sein. Nehmen Sie das Produkt in Betrieb, um den Trester im Inneren zu entfernen oder wiederholen Sie den Vorgang Rückwärtslauf aktivieren etwa 10 Sekunden lang und stoppen Sie dann 2 bis 3 Mal nacheinander. Der Trichter kann dann problemlos geöffnet werden. Wurden Fremd- oder Feststoffe (harte Kerne wie z. B. Pflaumenkerne) eingefüllt? Falls Fremd- oder Feststoffe eingefüllt wurden, können Geräteteile bei der Aktivierung des Rückwärtslaufs erheblich beschädigt werden. Kontaktieren Sie das Kundendienstzentrum und fordern Sie einen Produktservice an.
11. Der Hauptbehälter vibriert (beim Entsaften).	Das Produkt kann aufgrund der Motorbewegungen leicht vibrieren. Je nach Beschaffenheit der Zutaten (hart oder zäh) werden Vibrationen in verschiedenen Stärken erzeugt. Das ist keine Funktionsstörung, sondern ein normales Phänomen, das durch die Schneckendrehung verursacht wird. Im Vergleich zu weichen Zutaten mit hohem Wassergehalt können härtere Zutaten ein stärkeres Vibrieren verursachen (z. B. Karotten, Kartoffeln, Radieschen, Rüben, Kohlrabi etc.)
12. Beim Entsaften ist ein ungewöhnliches Geräusch hörbar.	Dieses Geräusch entsteht beim Zerkleinern von Zutaten. Bei harten oder zähen Zutaten wie z. B. Äpfeln, Karotten, Kohl, Sellerie, Rüben etc. kann das Entsaftungsgeräusch lauter sein als bei weichen Zutaten.

CONSIGNES DE SÉCURITÉ IMPORTANTES

LES PRÉCAUTIONS DE SÉCURITÉ DE BASE SUIVANTES S'APPLIQUENT LORS DE L'UTILISATION D'APPAREILS ÉLECTRIQUES. :

- 1. LORSQUE VOUS UTILISEZ DES APPAREILS ÉLECTRIQUES, LES PRÉCAUTIONS DE BASE DOIVENT TOUJOURS ÊTRE PRISES. LISEZ TOUTES LES INSTRUCTIONS.**
- 2. POUR PROTÉGER CONTRE LES RISQUES DE CHOC ÉLECTRIQUE, NE PLONGEZ PAS LE CORPS PRINCIPAL (MOTEUR) DANS L'EAU OU TOUT AUTRE LIQUIDE.**
- 3. CET APPAREIL N'EST PAS CONÇU POUR ÊTRE UTILISÉ PAR DES PERSONNES (Y COMPRIS DES ENFANTS) AUX CAPACITÉS PHYSIQUES, SENSORIELLES OU MENTALES RÉDUITES, OU MANQUANT D'EXPÉRIENCE ET DE CONNAISSANCES, SAUF SOUS ÉTROITE SURVEILLANCE ET APRÈS AVOIR REÇU LES INSTRUCTIONS CONCERNANT L'UTILISATION DE L'APPAREIL PAR UNE PERSONNE RESPONSABLE DE LEUR SÉCURITÉ. UNE SURVEILLANCE ÉTROITE EST REQUISE LORSQUE TOUT APPAREIL EST UTILISÉ PAR OU À PROXIMITÉ D'ENFANTS. LES ENFANTS DOIVENT ÊTRE SUPERVISÉS POUR S'ASSURER QU'ILS NE JOUENT PAS AVEC L'APPAREIL.**
- 4. ÉTEIGNEZ L'APPAREIL ET DÉBRANCHEZ-LE DE LA PRISE DE COURANT LORSQU'IL N'EST PAS UTILISÉ, AVANT D'ASSEMBLER OU DE DÉMONTER DES PIÈCES ET AVANT DE LE NETTOYER. POUR LE DÉBRANCHER, SAISISSEZ LA FICHE ET RETIREZ-LA. NE TIREZ JAMAIS SUR LE CORDON.**
- 5. ÉVITER TOUT CONTACT AVEC LES PIÈCES EN MOUVEMENT. NE PAS TENTER D'INTERFÉRER AVEC LES MÉCANISMES DE VERROUILLAGE DE SÉCURITÉ.**
- 6. N'UTILISEZ PAS UN APPAREIL AVEC UN CORDON OU UNE FICHE ENDOMMAGÉE, OU APRÈS UN DYSFONCTIONNEMENT DE L'APPAREIL, QUI EST TOMBÉ OU ENDOMMAGÉ DE QUELQUE FAÇON. RETOURNEZ L'APPAREIL AU CENTRE DE SERVICE AGRÉÉ LE PLUS PROCHE POUR UN EXAMEN, UNE RÉPARATION OU UN RÉGLAGE ÉLECTRIQUE OU MÉCANIQUE.**

- 
- 
- 7. L'UTILISATION D'ACCESSOIRES NON RECOMMANDÉS OU VENDUS PAR LE FABRICANT PEUT PROVOQUER UN INCENDIE, UN CHOC ÉLECTRIQUE OU DES BLESSURES.**
 - 8. NE LAISSEZ PAS LE CORDON PENDRE SUR LE BORD D'UNE TABLE OU D'UN COMPTOIR.**
 - 9. ASSUREZ-VOUS QUE LE GOULOT EST TOUJOURS SOLIDEMENT FIXÉ EN PLACE AVANT QUE LE MOTEUR NE SOIT ALLUMÉ. N'OUVREZ PAS LE GOULOT TANDIS QUE L'EXTRACTEUR DE JUS FONCTIONNE.**
 - 10. ASSUREZ-VOUS DE METTRE L'INTERRUPTEUR EN POSITION D'ARRÊT APRÈS CHAQUE UTILISATION DE VOTRE EXTRACTEUR DE JUS. ASSUREZ-VOUS QUE LE MOTEUR SOIT COMPLÈTEMENT ARRÊTÉ AVANT DE LE DÉMONTER.**
 - 11. NE METTEZ PAS VOS DOIGTS OU DES OBJETS DANS L'EXTRACTEUR DE JUS S'IL FONCTIONNE. SI DE LA NOURRITURE SE COINCE DANS LA PRISE, UTILISEZ LE POUSSOIR FOURNI OU UN AUTRE MORCEAU DE FRUIT OU DE LÉGUME À POUSSER VERS LE BAS. SI CELA EST IMPOSSIBLE, ÉTEIGNEZ LE MOTEUR ET DÉMONTÉZ L'EXTRACTEUR DE JUS POUR ÉLIMINER LA NOURRITURE RESTANTE.**
 - 12. NE L'UTILISEZ PAS À L'EXTÉRIEUR.**
 - 13. NE PLACEZ PAS L'APPAREIL SUR OU PRÈS D'UN BRÛLEUR À GAZ OU ÉLECTRIQUE OU DANS UN FOUR CHAUFFÉ.**
 - 14. N'UTILISEZ PAS L'APPAREIL AUTREMENT QUE POUR SON UTILISATION PRÉVUE.**
- 
- 

CONSERVEZ CES INSTRUCTIONS



TABLE DES MATIÈRES

- p.34 1. Recommandations de sécurité
- p.35 2. Précautions d'utilisation
- p.36 3. Guide interrupteur d'alimentation /
4. Précautions avant extraction de jus
- p.38 5. Composants
- p.40 6. Démontage
- p.42 7. Assemblage et démontage des joints
en silicone
- p.44 8. Utilisation
- p.45 9. En cas d'arrêt de la vis quand
l'appareil est en marche
- p.46 10. Démontage et nettoyage
- p.47 11. Avant de demander une réparation

Avant de lire le mode d'emploi

1. Lisez les « Recommandations de sécurité » (p. 32 à 35) et utilisez l'appareil correctement.
2. Après avoir lu le mode d'emploi, conservez-le dans un endroit sûr pour pouvoir le consulter ultérieurement.
3. N'utilisez pas l'appareil à l'étranger si le courant et la tension électrique sont différents.
4. Toute amélioration de la qualité est sujette à changement sans préavis.



1. Recommandations de sécurité

- 01 Assurez-vous de lire les « Recommandations de sécurité ».
- 02 Suivez les « Recommandations de sécurité ».
- 03 Les recommandations sont classées comme suit.



Avertissement Toute violation des mises en garde peut entraîner des blessures sévères ou la mort.

- **Ne branchez ou ne débranchez pas le cordon d'alimentation avec les mains mouillées.**
- **N'utilisez pas un courant différent de celui indiqué sur la carte de garantie et dans les caractéristiques du produit.** Cela pourrait provoquer un choc électrique, un incendie et/ou une altération des performances. Le branchement à un voltage différent pourrait réduire la durée de vie du moteur ou causer une panne.
- **Branchez entièrement la fiche du cordon d'alimentation dans la prise avec précaution.**
- **Ne pliez, n'attachez, n'endommagez ou ne tirez pas sur le cordon et ne le placez pas près d'une source de chaleur telle qu'une cuisinière.** De même, ne placez aucun objet lourd sur le produit, ne le placez pas dans un lieu étroit et ne le modifiez pas.
- **Ne modifiez le produit dans aucune circonstance.** De même, ne tentez pas de démonter ou de réparer l'appareil vous-même

- **N'insérer aucun corps étranger, comme un doigt ou une épingle en fer, dans les fentes ou les trous présents sur l'appareil.** Cela peut provoquer un incendie, un choc électrique, une blessure et/ou une panne. Pour le service après-vente et la maintenance du produit, veuillez contacter le Centre de service client HUROM.

- **Lorsque la fiche secteur est endommagée, n'essayez pas de la réparer ou de la modifier vous-même, rendez-vous au centre de service après-vente ou dans une boutique.**

- **Ne mouillez pas le produit et ne l'éclaboussez pas d'eau.** Assurez-vous que de l'eau ou qu'aucun corps étranger ne pénètre l'interrupteur du d'alimentation du produit.

- **Ne touchez pas l'interrupteur d'alimentation avec les mains mouillées.**

- **Par sécurité, assurez-vous que le produit est relié à la terre en permanence.** De même, ne le raccordez pas à un tuyau de gaz, à une conduite d'eau en plastique ou à une ligne téléphonique. Assurez-vous d'utiliser la prise de terre.

- **N'essayez pas de démonter l'ensemble de la cuve ou n'insérez aucun corps étranger comme un doigt ou une cuiller à l'entrée ou à la sortie du robinet en cours d'utilisation.**

- **Ne pas utiliser à portée des enfants.** Les enfants doivent être surveillés afin de s'assurer qu'ils ne jouent pas avec l'appareil. Il existe un risque de blessure ou de panne si des enfants percutent et font tomber l'appareil par inadvertance.

- **Une personne qui ne serait pas habituée à l'utilisation du produit ne devrait pas l'utiliser elle-même.** Toute personne présentant des troubles physiques ou mentaux ou ne possédant pas l'expérience et la connaissance de ce type de produit ne devrait pas l'utiliser sans surveillance.

- **N'utilisez pas ce produit si vous portez ou tenez un objet magnétique, comme un bracelet magnétique, par exemple.** La présence d'un objet magnétique près de l'appareil pourrait causer une panne.

- **Les instructions concernant l'utilisation des appareils doivent mettre en garde contre les risques de blessure en cas de mauvaise utilisation.**

- **Débranchez toujours l'appareil de l'alimentation s'il n'est pas utilisé et avant de le monter, de le démonter ou de le nettoyer.**

- **Éteignez l'appareil et débranchez-le avant de changer les accessoires ou d'approcher les pièces qui bougent lorsque l'appareil est en cours d'utilisation.**

- **Cet appareil est conçu pour un usage domestique et des usages similaires, par exemple pour les cuisines des salles de repos dans des magasins, des bureaux ou autres environnements de travail.**

- gîtes ruraux.
- clients des hôtels, motels et autres environnements résidentiels.
- chambres d'hôtes.



Attention Toute violation des mises en garde peut entraîner des blessures sévères ou la mort.

- **N'utilisez pas le produit si le bloc principal ou la cuve du produit ne sont pas correctement connectés.**

- **En cas de fuite de gaz, etc. ne touchez pas au cordon d'alimentation. Ouvrez plutôt une fenêtre et ventilez soigneusement la zone.**

• Si la vis de pression cesse de tourner durant le fonctionnement normal, appuyez sur le bouton « REV » et maintenez-le enfoncé pendant 3 à 5 secondes pour activer la rotation inverse. Après la fin complète de la rotation inverse, appuyez de nouveau sur le bouton « ON » pour reprendre le fonctionnement normal. Si la vis continue de s'arrêter durant le fonctionnement, les pièces risquent d'être endommagées ou la performance peut être altérée à cause de la surchauffe du moteur. Si ce problème persiste, arrêtez d'utiliser l'appareil et contactez notre centre de service clients local.

• **Ne déplacez pas le bloc principal de l'appareil, ne démontez ou ne montez pas l'ensemble de la cuve ou les pièces de celle-ci en cours d'utilisation.** Assurez-vous d'interrompre toute utilisation et débrancher le cordon d'alimentation au préalable.

• **Lors de l'utilisation du produit, assurez-vous qu'une cravate, un collier, une écharpe, etc. ne se coince pas dans l'orifice d'entrée.**

• **Placez le produit sur une surface plane et stable afin de l'utiliser.**

• **Lorsque vous insérez les ingrédients dans l'ouverture, n'utilisez pas de baguette, de cuiller ou tout autre objet autre que le poussoir.**

• **N'utilisez pas l'appareil sans interruption pendant plus de 30 minutes à chaque utilisation.** Cela pourrait causer une surchauffe et une panne. Afin de l'utiliser à nouveau, arrêtez complètement le produit pendant au moins 5 minutes.

• **N'exercez pas de choc excessif sur le produit et ne le faites pas tomber.**

Le produit pourrait être endommagé.

• **N'utilisez pas le produit s'il est endommagé.**

Si le produit est endommagé, il est possible qu'il ne fonctionne pas correctement et qu'il soit dangereux de l'utiliser.

• **Si le produit émet des bruits inhabituels, une chaleur excessive ou de la fumée, arrêtez de l'utiliser immédiatement et contactez le Centre de service client.** L'odeur dégagée par un produit lors de sa première utilisation disparaîtra naturellement au fil du temps.

• **Débranchez la fiche du cordon d'alimentation de la prise lorsque le produit n'est pas utilisé.** De même, lorsque vous débranchez le cordon d'alimentation, assurez-vous de bien le saisir afin de le tirer.

• **Ne nettoyez pas le produit à une température égale ou supérieure à 80 °C.** Ne le mettez pas au lave-vaisselle, au sèche-vaisselle, au micro-ondes, etc. car cela pourrait causer une panne et/ou une déformation des pièces.

• **Le produit pèse environ 5,5 kg. Lorsque vous déplacez le produit, assurez-vous de tenir fermement le bloc principal à l'aide de vos deux mains.** Si vous le déplacez en ne tenant que la cuve ou les côtés du bloc principal de l'appareil, ce dernier pourrait tomber et causer une blessure physique ou une panne.

• **N'utilisez pas cet appareil ménager à des fins commerciales.** L'extraction excessive d'une quantité importante d'ingrédients peut endommager les pièces. Si vous souhaitez utiliser cet appareil à des fins commerciales, veuillez contacter le Centre de service client quant à la méthode à respecter.



2. Précautions d'utilisation

• **Assurez-vous de bien comprendre comment préparer les ingrédients et de les préparer**

correctement avant de les insérer dans l'appareil. Des ingrédients mal préparés pourraient entraver le processus d'extraction et/ou endommager l'appareil.

● **Ingrédients nécessitant une attention particulière**

- Lorsque vous utilisez des ingrédients mous tels que des bananes, des kiwis mûrs et des tomates, le jus peut stagner à l'intérieur de la cuve, ce qui peut compliquer l'extraction. Veuillez ajouter des ingrédients plus fermes.

- Lorsque vous utilisez des noix, des cacahuètes, des amandes, des graines de tournesol, des pignons de pin, des haricots, etc. n'en utilisez qu'une petite quantité ou ajoutez-les avec d'autres ingrédients après les avoir trempés dans l'eau.

● **Ingrédients impossibles à presser**

- N'utilisez pas d'ingrédients qui ne peuvent être pressés tels que des graines des sésames, des grains de café, du poivre de Chine, des écorces d'arbre ou des aiguilles de pin. N'utilisez pas de poisson d'eau vaseuse, d'anguille, de crevettes, d'escargots, de poule, etc.

- N'utilisez pas de fruits imbibés d'alcool, de miel ou de sucre (raisin, framboises, mûres, etc) ou d'enzymes (salicorne, enzymes de pin, etc.).

- N'utilisez pas d'ingrédients difficiles à presser dû à certaines caractéristiques tels que le chalef argenté, l'aloé, le cactus, le coing, l'igname, la racine de kudzu, le sucre de canne, les glands ou les pissenlits

- N'utilisez pas de glace obtenue par congélation de l'eau.

● **Il est recommandé de consommer le jus extrait des légumes immédiatement, si possible, et de ne pas le réfrigérer sur une période importante.**

● **N'utilisez pas ce produit afin de mouder des grains. Cela peut provoquer des blessures ou une panne.**

● **N'extrayez pas de nouveau le jus d'une pulpe qui a déjà été pressée.**

● **Ne faites pas fonctionner le produit à vide avant de presser vos ingrédients.**

● **N'insérez pas d'ingrédients dans la trémie au-delà de la limite indiquée.**

● **N'utilisez pas l'appareil sans interruption pendant plus de 30 minutes.**

- Cela pourrait causer une surchauffe et une panne. Cependant, lorsque vous utilisez l'appareil de façon continue, faites une pause de plus de 5 minutes avant de l'utiliser à nouveau.

● **N'insérez pas de baguette ou de cuiller dans le robinet de sortie de la pulpe/du jus en cours de fonctionnement.**

● **Lorsque vous insérez les ingrédients, n'utilisez rien d'autre que le poussoir.** Cela pourrait endommager les pièces ou causer une blessure physique et/ou une panne.

● **Ne touchez pas l'interrupteur d'alimentation avec les mains mouillées.**

- Cela peut provoquer un choc électrique, un court-circuit et/ou un incendie. Ne versez pas de substance étrangère sur ou près de l'interrupteur d'alimentation.

● **Utilisez le produit lorsque le couvercle à jus est ouvert.**

- Le jus peut couler vers l'arrière, à l'intérieur de la trémie, si le couvercle est ouvert lors de l'extraction.

● **Ne pas utiliser en présence d'une grande quantité d'eau ou de jus de légume dans la partie supérieure du bloc principal.**

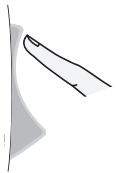
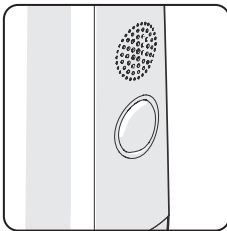
● **Si vous éprouvez des difficultés à retirer le récepteur du bloc principal après avoir extrait un jus, procédez à une rotation inverse pour le démonter plus facilement.**

Remarque

1. Les ingrédients passés, qui ont été stockés longtemps au réfrigérateur, ou les fruits congelés, peuvent ne produire que peu de jus, voire pas du tout.
2. Si le produit n'est pas nettoyé directement après utilisation, la pulpe pourrait sécher, ce qui complique le démontage et le nettoyage et peut également causer une altération des performances. Donc, si possible, nettoyez le produit immédiatement après utilisation.

3. Guide interrupteur d'alimentation

Avant d'utiliser le produit, appuyez sur l'interrupteur d'alimentation.



[ON] : ON - Démarre le moteur et extrait le jus.



[●] : Stop - Appuyez sur ce bouton pour arrêter le fonctionnement du produit.



[REV] : REV - Appuyez sur ce bouton lorsque l'extraction s'arrête en cours de fonctionnement en raison d'une surcharge d'ingrédients.
 * L'appareil fonctionne uniquement lorsque le bouton est enfoncé, et il s'arrête lorsque le bouton est relâché.

※ Si vous avez des allergies, assurez-vous de préparer des ingrédients qui vous correspondent.

※ Pour la méthode d'utilisation ou les remarques concernant l'utilisation de l'appareil pour chaque ingrédient, veuillez consulter le livre de recettes.

※ Coupez les ingrédients à une dimension qui vous permettent de les insérer dans la trémie. Si vous souhaitez presser un grand volume ou effectuez une extraction rapide, coupez les ingrédients en plus petits morceaux avant de les insérer. Pour environ 1 kg, répétez les étapes de la rubrique « démontage et nettoyage après extraction de jus ».

-Extraire le jus d'une grande quantité d'ingrédients non nettoyés peut demander au produit de réaliser un effort supplémentaire.

※ N'insérez pas d'ingrédients dans la trémie au-delà de la limite indiquée.

※ Lors de l'utilisation uniquement d'ingrédients bouillis ou à chair tendre, le jus peut s'accumuler à l'intérieur du récepteur et ne pas être extrait correctement. N'insérez qu'une petite quantité de ces ingrédients ou mélangez-les à d'autres ingrédients.

※ Lorsque vous pressez des fruits ou des légumes particulièrement fibreux, le jus peut être plus épais.

※ L'insertion des ingrédients suivants, qu'il est impossible de presser, peut causer des dégâts ou une panne.

- Ingrédients qui ne peuvent être pressés comme les graines de sésames, le poivre de Chine, les écorces d'arbre et les aiguilles de pin ainsi que les poissons d'eau vaseuse, les anguilles, les crevettes, les escargots, le poulpe, etc.

- Les fruits imbibés d'alcool, de miel ou de sucre (raisin, framboises, mûres, etc) ou d'enzymes (salicorne, enzymes de pin, etc.).

- Ingrédients difficiles à presser dû à certaines caractéristiques tels que le chlef argenté, l'aloé, le cactus, le coing, la banane, l'igname, la racine de kudzu, le sucre de canne, les glands ou les pissenlits.

- La glace obtenue par congélation de l'eau

※ N'utilisez pas ce produit afin de réduire des grains en poudre.

※ Référez-vous aux instructions de la section <Précautions d'utilisation> (p.35)

4-1. Préparation des ingrédients

- Certains ingrédients nécessitant une attention particulière lors de la préparation, veuillez vous référer aux instructions suivantes afin de les préparer.
- Lorsque vous pressez des ingrédients plusieurs fois ou que vous pressez une quantité importante d'ingrédients, assurez-vous de les découper en petits morceaux et de répéter les étapes de la rubrique « démontage et nettoyage après extraction de jus ».
- Pour une extraction de jus plus rapide, émincez les ingrédients.

Agrumes

Pamplemousse, orange, citron, etc.

Préparez les ingrédients en les pelant et en les découpant en petits morceaux qui passeront dans l'entrée de la trémie. Éliminez tous les pépins et noyaux durs et impossibles à presser avant insertion.

Fruits à la peau épaisse

Ananas, fruit du dragon, melon, pastèque, grenade, etc.

Préparez les ingrédients en les pelant et en les découpant en petits morceaux qui passeront dans l'entrée de la trémie. Éliminez tous les pépins et noyaux durs et impossibles à presser avant insertion.

Fruits à pépins et noyaux

Raisins, pommes, pêches, kakis, prunes, cerises, poires, melons coréens, etc.

Pour les ingrédients qui contiennent des pépins ou des noyaux durs et impossibles à presser tels que les pêches, assurez-vous de retirer ceux-ci et de couper les fruits afin de n'en utiliser que la chair. Les pépins et les noyaux peuvent interrompre le fonctionnement de l'appareil ou endommager les pièces. Les pépins de pomme contiennent des toxines, veillez donc à en enlever autant que possible. Pour les raisins, séparez chaque raisin de la grappe et nettoyez-les soigneusement. Ne pressez pas les ingrédients trop mous. Mélangez-les à d'autres fruits et légumes.

Fruits mous

Extraction unique (baies, tomates cerises, ananas, etc.)

※ Nettoyez soigneusement les ingrédients et découpez-les en petits morceaux qui passent dans l'entrée de la trémie. Pour les fruits et légumes qui possèdent une queue, enlevez celle-ci au préalable.

Extraction mixtes (fraises, kiwis, bananes, tomates, mangues, etc.)

※ **Pour les ingrédients secs et visqueux, mélangez-les avec d'autres ingrédients avant extraction.** Enlevez la peau et la queue ainsi que les pépins ou noyaux le cas échéant.

Légumes-racines

Carottes, betterave, gingembre, patates douces, pommes de terre, ail, etc.

Nettoyez les ingrédients à l'eau claire afin d'éliminer toute saleté et substance étrangère. Pour les ingrédients fibreux tels que le gingembre, pelez-les et coupez-les en petits morceaux. Pour les ingrédients longs, coupez-les verticalement avant extraction.

Feuilles et tiges

Céleri, chou kale, chou, cresson, herbe de blé, ciboulette, etc.

Coupez les ingrédients en morceaux de 3 cm ou moins avant extraction. Les feuilles et les tiges étant des ingrédients rugueux et fibreux, il n'est pas facile de les presser et ils peuvent se coincer dans la Multi-vis.

- Lorsque vous pressez des ingrédients autres que des racines, des feuilles ou des tiges, le jus peut stagner.

Comment utiliser chaque filtre

Filtre fin



Pour extraire le jus de légumes et de fruits

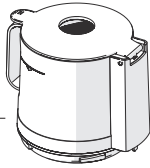
Filtre grossier (Vendu séparément)



Un filtre grossier a de larges ouvertures et est principalement utilisé pour obtenir un jus épais contenant de la chair. Il est idéal avec les bananes, fraises et autres ingrédients dont la chair est tendre ou qui produisent un jus épais. Il est utile pour préparer un smoothie, un café latte ou une soupe.

Pièce de trémie

Trémie



Pièce de récepteur

Vis



Filtre fin

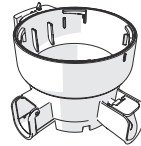


Filtre grossier
(Vendu
séparément)

Brosse rotative



Récepteur

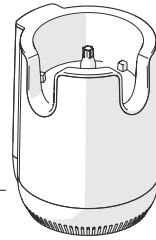


Pièce de bloc principal

Cordon
d'alimentation



Bloc principal de
l'appareil



Pièce d'accessoire

Bac à pulpe



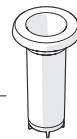
Brosse de
nettoyage



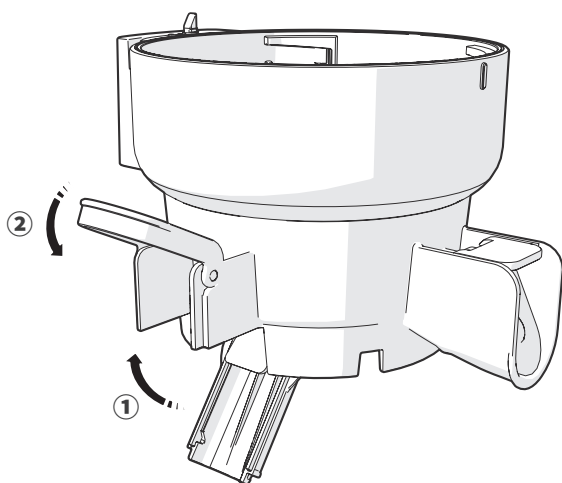
Bac à jus



Poussoir



01 Couvercle de la sortie de pulpe Installation

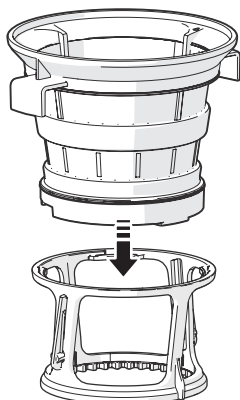


Fermez le couvercle de la sortie de pulpe et accrochez l'anneau.

Si la garniture n'est pas correctement assemblée ou si le loquet n'est pas bien verrouillé, du jus peut fuir pendant l'extraction ou le couvercle de la sortie de pulpe peut s'ouvrir.

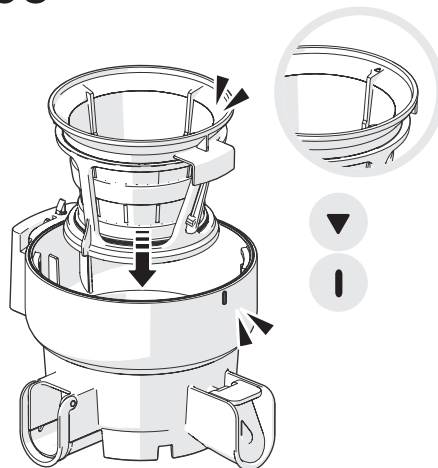
※ Vérifiez que le boîtier d'extraction et la garniture d'étanchéité sont bien installés.

02 Assemblage du tamis et de la brosse rotative



Assemblez le filtre fin et la brosse rotative comme illustré. Enfoncez les accessoires jusqu'au bout.

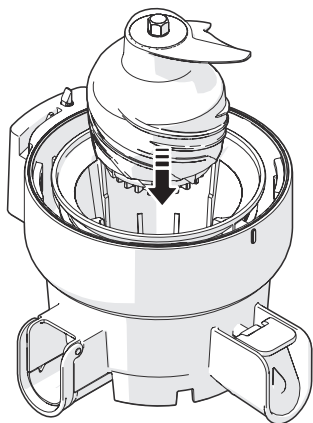
03 Installation du récepteur



Alignez le filtre fin et la brosse rotative assembles face à la rainure du récepteur comme illustré.

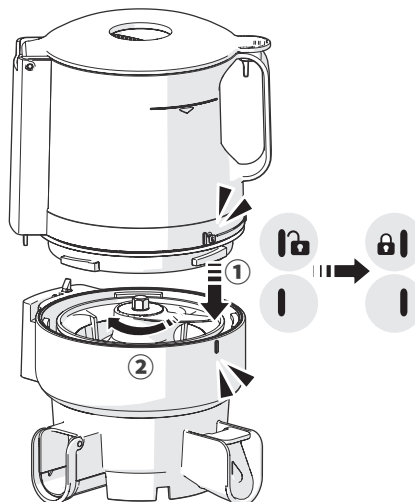
Assemblez les pièces de sorte que le repère en forme de flèche (▼) qui se trouve sur le tamis et le repère (|) situé sur le récepteur soient parfaitement alignés.

04 Installation de la vis



Insérez la vis sur l'assemblage du récepteur.
Enfoncez-la jusqu'à rencontrer une résistance.

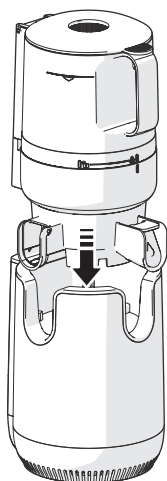
05 Installation de la trémie



Alignez les repères situés sur la trémie sur ceux qui se trouvent sur le récepteur, puis tournez-la dans le sens horaire pour terminer l'installation.

Français

06 Installation du corps



Placez l'assemblage du récepteur sur le bloc principal.

Remarque

Fermez le couvercle de la trémie en l'abaissant jusqu'à entendre un clic.

Si le couvercle de la trémie n'est pas bien fermé, il est possible que le produit ne fonctionne pas correctement.

Au lieu de l'assembler sur le bloc principal, montez séparément l'assemblage du récepteur dans un premier temps, puis placez l'assemblage complet sur le dessus du bloc principal.

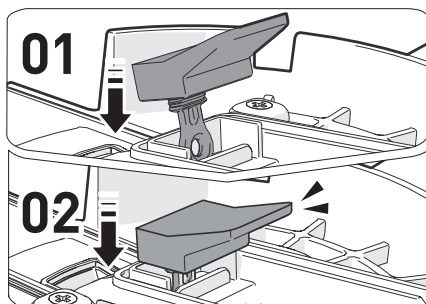
Il peut être difficile de l'installer correctement s'il n'est pas assemblé exactement comme indiqué dans le guide d'installation.

42 7. Assemblage et démontage des joints en silicone

※ Les joints en silicone sont des pièces qu'il est recommandé de remplacer tous les 6 à 12 mois. Vous pouvez les acheter auprès du Centre de service client.

(L'extracteur de jus peut fuir si le produit n'est pas assemblé correctement.)

Joint d'extraction



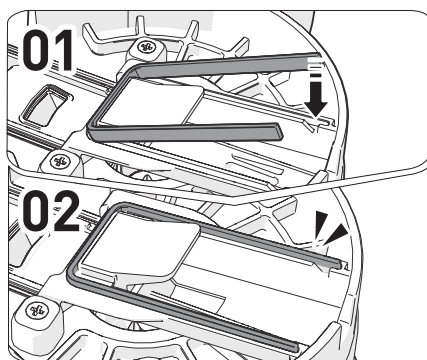
Démontage

Saisissez la garniture et tirez-la vers l'arrière.
Le boîtier est muni d'un anneau qui empêche de le démonter complètement.

Assemblage

Après nettoyage, insérez la partie convexe du boîtier comme pour l'accrocher, puis appuyez dessus.

Joint d'étanchéité



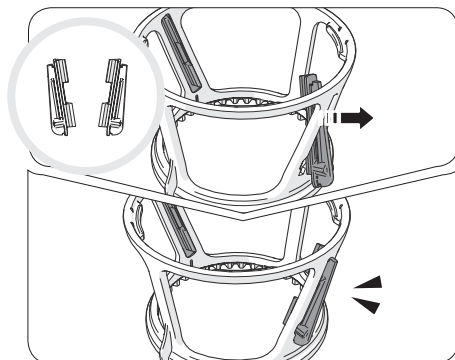
Démontage

Saisissez la garniture et tirez-la vers l'arrière.

Assemblage

Après le nettoyage, insérez d'abord un côté de la garniture comme si vous l'accrochiez. Insérez le reste et appuyez sur les bords extérieurs.

Joint de la brosse rotative



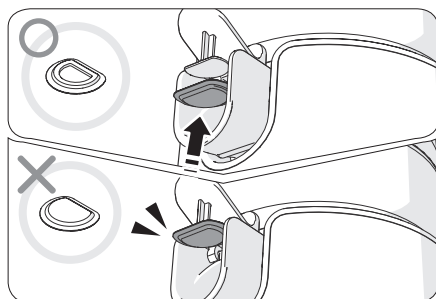
Démontage

Saisissez la garniture et tirez dessus comme pour la retourner vers l'intérieur.

Assemblage

Après avoir procédé au nettoyage, installez le joint de la brosse rotative en le tirant de l'intérieur vers l'extérieur, comme indiqué sur l'image. Saisissez fermement les parties supérieure et inférieure des ailes extérieures du joint de la brosse rotative et tirez-les vigoureusement.

Joint du bouchon de sortie du jus



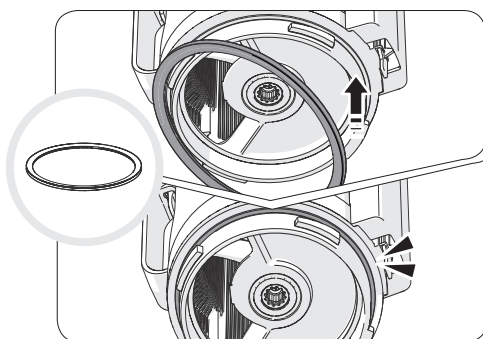
Démontage

Saisissez la garniture et tirez-la vers l'arrière.

Assemblage

Après le nettoyage, insérez d'abord un côté de la garniture comme si vous l'accrochiez. Insérez le reste et appuyez sur les bords extérieurs.

Garniture de la trémie



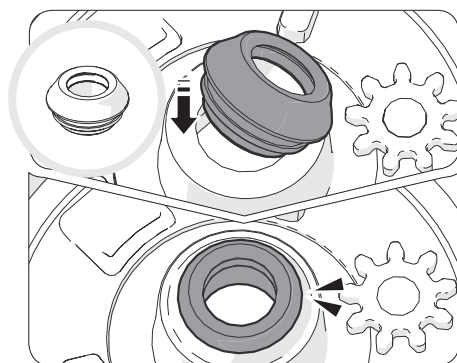
Démontage

Saisissez la garniture et tirez-la vers l'arrière.

Assemblage

Après le nettoyage, insérez d'abord un côté de la garniture comme si vous l'accrochiez. Insérez le reste et appuyez sur les bords extérieurs.

Joint de la cuve

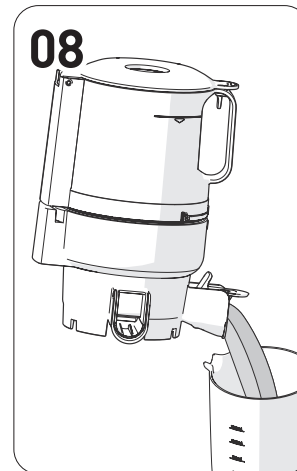
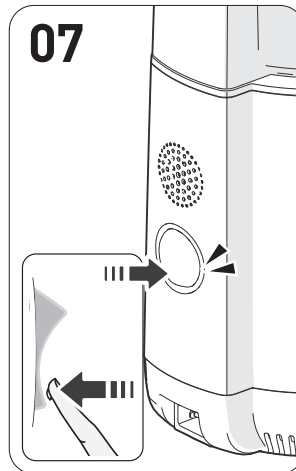
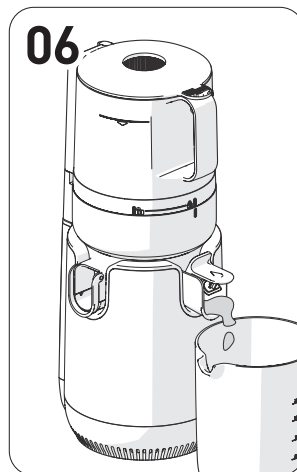
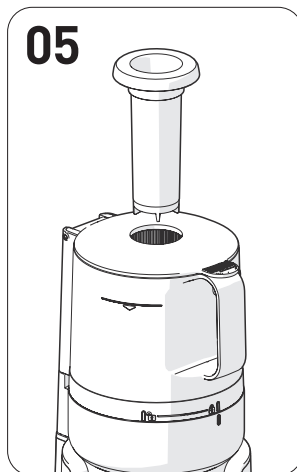
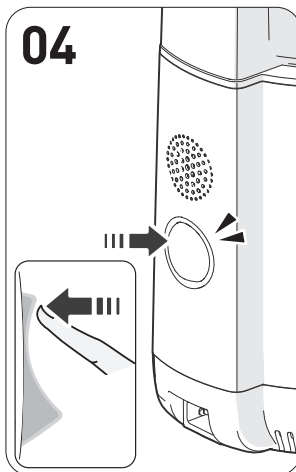
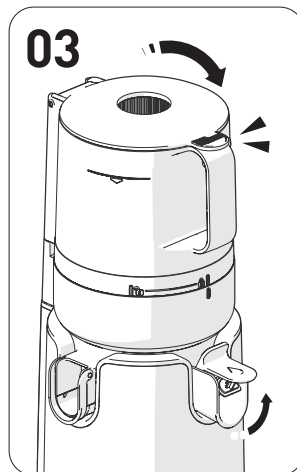
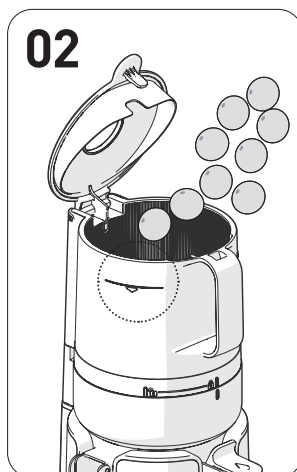
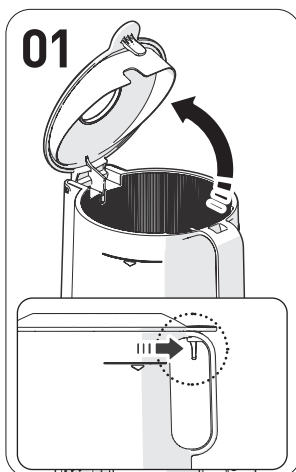


Démontage

Saisissez la garniture et tirez-la vers l'arrière.

Assemblage

Après nettoyage, vérifiez le haut et le bas du joint et insérez-le comme si l'un de ses côtés était un crochet. Appuyez fermement sur le reste du joint sans faire de pli.



01 Ouvrez le couvercle de la trémie.

① Tirez sur le levier du couvercle de la trémie pour l'ouvrir. Insérer une quantité excessive d'ingrédients peut exercer une trop forte pression sur le produit.

02 Ajoutez des ingrédients jusqu'au repère de la trémie.

① Ingrédients mous : mélangez-les avec d'autres ingrédients avant extraction.

03 Fermez le couvercle de la trémie en laissant le bouchon de sortie du jus ouvert.

① Avant d'appuyer sur le bouton ON, mettez en place le gobelet à jus.
② Le jus peut couler vers l'arrière, à l'intérieur de la trémie, si le couvercle est ouvert lors de l'extraction. Si le jus ne coule pas même une fois le bouchon de sortie du jus ouvert, ouvrez le couvercle de la trémie et videz-en le contenu.

04 Appuyez sur l'interrupteur d'alimentation afin de commencer à utiliser le produit.

① Le « clic » émis lors de l'utilisation du produit est produit lorsque l'ensemble de la cuve et le moteur sont verrouillés l'un à l'autre.

05 Afin d'ajouter d'autres ingrédients en cours d'utilisation, utilisez l'ouverture additionnelle ou ouvrez le couvercle de la trémie.

① Lorsque le couvercle de la trémie est ouvert, l'appareil s'arrête.
② N'utilisez aucun objet en dehors du poussoir fourni.
③ Dans le cas où la Multi-vis tourne mais que les ingrédients ne sont pas broyés dans la trémie lors de l'extraction, utilisez le poussoir afin de faire descendre les ingrédients.

06 Laissez l'appareil fonctionner pendant environ 1 minute après que les ingrédients sont passés par la trémie.

① L'appareil presse et broie les ingrédients lentement et il faut donc un peu de temps afin que le dernier ingrédient soit pressé.
② Éliminer la pulpe restante en faisant fonctionner l'appareil après extraction facilite le retrait de la trémie et le nettoyage des pièces.
③ Il est facile d'éliminer la pulpe résiduelle en alternant plusieurs fois une rotation inverse et une rotation normale.

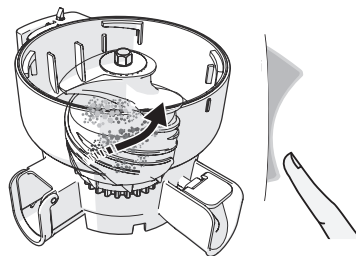
07 Une fois l'extraction du jus et l'élimination de la pulpe terminés, appuyez sur l'interrupteur d'alimentation afin d'arrêter l'appareil.

① L'appareil s'arrête 3 secondes après que vous avez appuyé sur l'interrupteur d'alimentation.

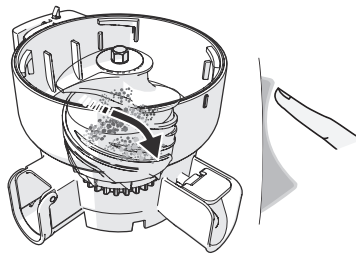
08 Versez le jus restant en inclinant la cuve vers l'avant.

① Pour les jus épais et concentrés, de tomates, par exemple, le jus pourrait rester coincé dans la cuve.
② Lorsque vous détachez le récepteur, de la pulpe peut s'écouler du bloc principal de l'appareil en fonction des ingrédients.

01



02



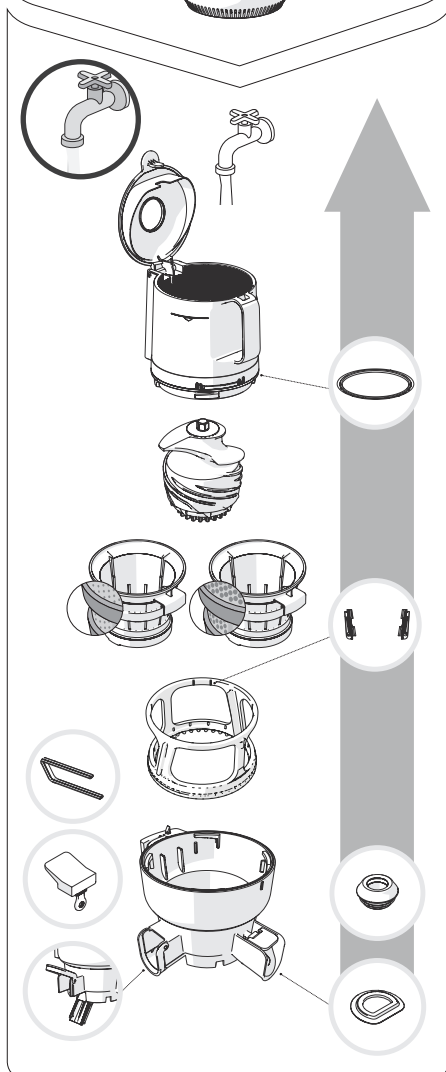
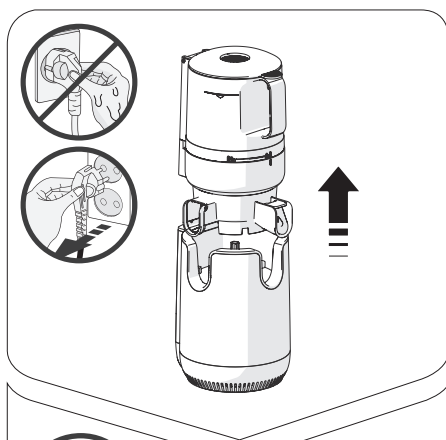
01 Appuyez sur le bouton [REV] en le maintenant enfoncé pendant 3 à 5 secondes puis relâchez-le, et recommencez cette action 2 ou 3 fois.

Le bouton [REV] permet d'évacuer le reste d'ingrédients accumulés. La rotation inverse se produit uniquement lorsque le bouton est enfoncé, tandis que la vis s'arrête lorsque le bouton est relâché.

02 Une fois que la Multi-vis est complètement arrêtée après une rotation inverse, appuyez brièvement sur l'interrupteur d'alimentation afin de reprendre l'extraction. En cas d'extraction ou de rotation inverse, assurez-vous d'appuyer sur l'interrupteur d'alimentation une fois que la Multi-vis est complètement arrêtée.

Remarque

Si l'appareil ne fonctionne pas même suite à l'opération décrite ci-dessus, débranchez le cordon d'alimentation de la prise, démontez la cuve, lavez-la et utilisez-la de nouveau. Du fait de ses caractéristiques, le moteur ne s'arrêtera pas immédiatement mais continuera de tourner lentement dans la même direction avant de s'arrêter complètement.



*** Une fois l'appareil complètement arrêté, débranchez le cordon d'alimentation de la prise avec des mains sèches. Même une fois le produit arrêté, le moteur continuera de fonctionner lentement. Attendez environ 3 secondes avant de retirer la cuve.**

01 Retirez l'ensemble de la cuve du bloc principal de l'appareil. Faites tourner la trémie afin de l'ouvrir puis retirez successivement chacune des pièces afin de les désassembler.

02 Nettoyez les pièces à l'eau claire avec une brosse.

03 Ouvrez le couvercle d'éjection et le bouchon de sortie du jus afin de nettoyer la cuve.

04 Nettoyez le bloc principal de l'appareil à l'aide d'un chiffon humide ou d'un chiffon doux.

05 Retirez les joints en silicone et nettoyez-les après utilisation.
- Des résidus peuvent rester coincés.
(Garniture de la trémie, boîtier du bouchon de sortie du jus, garniture d'extraction, garniture d'étanchéité, Garniture de vis, garniture du couvercle de sortie de jus)

06 Vous pouvez stériliser les pièces en les trempant dans du bicarbonate de soude, de l'acide citrique ou du vinaigre dilué dans de l'eau chaude.

*** Si vous ne nettoyez pas le produit immédiatement après utilisation, cela pourrait engendrer la corrosion ou la coloration des pièces en acier inoxydable à cause du sel ou de la pulpe des ingrédients. De même, des contaminants pourraient sécher et se coincer à l'intérieur, ce qui complique le démontage et le nettoyage des pièces et réduire les performances de l'appareil. Assurez-vous de le nettoyer et de le laisser sécher à l'air immédiatement après utilisation puis de l'entreposer dans un endroit propre. Pour un stockage long, utilisez une brosse pour nettoyer l'appareil. Ne nettoyez pas les pièces à l'eau trop chaude ou bouillante et n'utilisez pas d'éponge de nettoyage, d'éponge en acier ou autres outils abrasifs ou coupants. Ne les lavez pas au lave-vaisselle et ne les placez dans un sèche-vaisselle.**

11. Avant de demander une réparation

Veillez vérifier les points suivants avant de demander une réparation. Si vous avez besoin d'une assistance après-vente ou avez des questions concernant l'utilisation de ce produit, veuillez contacter notre Centre de service clients au <http://www.globalhurom.com>. Lorsque vous souhaitez obtenir une assistance ou des pièces auprès du service après-vente, veuillez vérifier le nom du modèle, ainsi que le numéro de série du fabricant ou le numéro figurant sous le code-barres.

47

Français

<p>01. Lorsque l'appareil se met en route, il émet un « clic ».</p>	<p>Il s'agit du son du moteur qui se joint à la Multi-vis. Il ne s'agit pas d'une dysfonction.</p>
<p>02. Il ne fonctionne pas uniquement avec le bloc principal de l'appareil.</p>	<p>Vérifiez si l'ensemble de la cuve et le bloc principal de l'appareil sont correctement assemblés. Assurez-vous de couper l'alimentation lorsque vous monter ou démonter le produit.</p>
<p>03. Assemblez-le de façon à ce qu'il soit aligné au repère de sécurité.</p>	<p>Vérifiez que l'appareil a été assemblé selon le repère.</p>
<p>04. L'appareil ne fonctionne pas.</p>	<p>Vérifiez que le cordon d'alimentation est correctement branché. L'appareil peut ne pas fonctionner après une période de temps important (30 minutes ou plus). Il fonctionnera normalement une fois que la température du bloc principal de l'appareil (moteur) aura descendu.</p>
<p>05. L'appareil s'arrête au cours d'une utilisation normale.</p>	<p>Vérifiez que la trémie est correctement assemblée. Si la trémie n'est pas assemblée correctement, l'appareil ne fonctionnera pas. Il ne fonctionnera que lorsque le symbole de verrouillage de la cuve et que le repère d'assemblage de la trémie sont face à face. Vérifiez si l'appareil a été assemblé conformément aux instructions du guide d'assemblage. Référez-vous à la page du guide d'assemblage (p. 41). Un trop grand nombre d'ingrédients ou des ingrédients particulièrement épais ont-ils été insérés ? Référez-vous à la page 45 de ce mode d'emploi afin d'activer la rotation inverse. Par sécurité, un minuteur, qui s'arrête automatiquement au bout de 5 minutes, se met en route. Appuyez à nouveau sur l'interrupteur d'alimentation afin de commencer à utiliser le produit.</p>
<p>06. L'appareil présente des fissures causées par une Multi-vis ou au-dessus de la Multi-vis.</p>	<p>Lors du moulage, des repères incurvés sont réalisés sur les côtés et sur le dessus de la Multi-vis en plus des marques droites. Ces marques sont normales et n'affectent en aucun cas l'utilisation de l'appareil.</p>
<p>07. Le jus coule par le robinet de sortie immédiatement après l'insertion des ingrédients.</p>	<p>Selon les ingrédients utilisés, une petite quantité de jus peut couler par le robinet de sortie. Il ne s'agit pas d'un défaut de l'appareil mais plutôt d'un phénomène dû aux caractéristiques des ingrédients. L'écoulement s'arrêtera lorsque le produit commencera à fonctionner. Si l'écoulement se poursuit, contactez le Centre de service client.</p>
<p>08. Le jus s'écoule vers l'arrière de la trémie.</p>	<p>Avez-vous utilisé l'appareil avec le couvercle fermé ? Lorsque le bouchon de sortie du jus est fermé, il est possible que le jus s'écoule vers l'arrière de la trémie. Si le jus ne coule pas même une fois le bouchon de sortie du jus ouvert, ouvrez le couvercle de la trémie et videz-en le contenu.</p>
<p>09. Le jus s'écoule entre la trémie et la cuve ou entre la cuve et le bloc principal de l'appareil.</p>	<p>Le joint de la trémie ou de la chambre sont-ils assemblés correctement ? Le jus peut fuir si le joint de la trémie ou de la cuve ont été assemblés à l'envers ou de façon incomplète. Vérifiez que le joint est correctement installé.</p>
<p>10. La trémie ne s'ouvre pas.</p>	<p>Une quantité excessive de pulpe pourrait être coincée à l'intérieur. Faites fonctionner l'appareil afin de vider la pulpe ou répéter le processus d'activation de la rotation inverse pendant environ 10 secondes puis 2 ou 3 fois. La trémie s'ouvrira alors sans aucun problème. Une substance étrangère ou un objet dur (tels que des pépins, comme ceux du kaki) ont-ils été introduits dans l'appareil ? Si une substance étrangère ou qu'un objet dur a été introduit, des pièces pourraient être endommagées plus sérieusement si vous effectuez une rotation inverse. Contactez plutôt le Centre de service client et effectuez une demande de service après-vente.</p>
<p>11. La cuve tremble en cours d'utilisation.</p>	<p>L'appareil peut trembler légèrement à cause des mouvements du moteur du bloc principal. Selon les caractéristiques des ingrédients (durs ou résistants), des mouvements de diverses magnitudes sont générés. Il ne s'agit pas d'un dysfonctionnement mais d'un phénomène naturel observé avec la rotation de la Multi-vis. Par rapport à des ingrédients qui contiennent bien plus d'eau, des ingrédients plus durs peuvent faire trembler l'appareil davantage (carottes, pommes de terre, radis, betterave, chou-rave, etc.)</p>
<p>12. Un bruit inhabituel se fait entendre en cours d'utilisation.</p>	<p>Il s'agit d'un bruit naturel produit lorsque les ingrédients sont broyés. Si les ingrédients sont durs ou résistants, comme les pommes, les carottes, le chou, le céleri, la betterave, etc. L'extraction peut être plus bruyante que lorsque vous broyez des ingrédients plus mous.</p>